

Project:	Catalog#:	Type:
Prepared By:	Notes:	Date:

## BAYFlex

LED Linear Highbay with Angle Adjustable Light Panels • 50,000 System Lifetime • 10 Year Limited Warranty



## Overview

The new BAYFlex Linear High Bay series is designed with contractors in mind. From the compact design, adjustable light panels, 85o beam angle, plug-n-play sensors, mounting kits, and wire guards the BAYFlex, is both flexible and reliable. The 1/8" PnP port enables the addition of DLC listed Lighting Luminaire Level Controls for maximum rebates. Available in 2ft fixtures at 100, 160, & 200W while the 3ft fixtures are 240 & 300W stocked in fixed 5000K Color temp. With 140-145LPW efficacy the BAYFlex linear high bay fixtures cost per lumen is of the best in class.

## Features

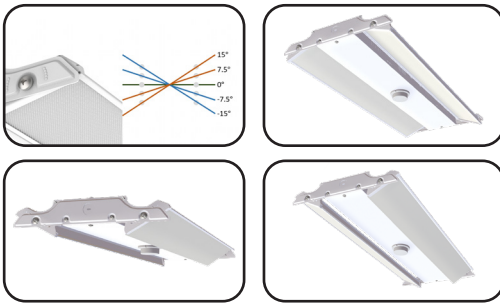
- Dimmable with 0-10V systems
- Adjustable Lighting Panels
- Symmetrical and Asymmetrical configurations possible
- 12V Plug-n-play control port
- 140-145 Lpw Efficiency
- DLC 5.1 Premium
- Easy and secure installation

## Applications

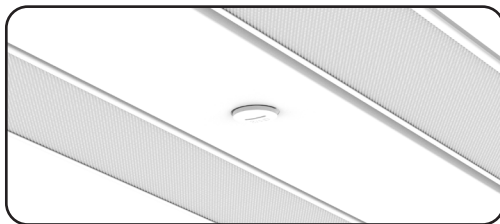
- Warehouses
- Distribution Centers
- Convention Centers
- Industrial Applications
- Gymnasium
- Retail Stores



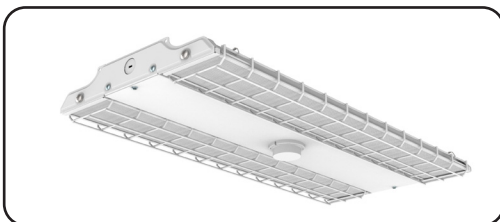
## Highlights



BAYFlex is engineered with a rotatable light panel to enable field adjustments to varying aisle width and rack heights as well as enable asymmetrical configurations when needed.



One of the key features of the BAYFlex is the 12V PnP sensor powered port which enables the use of simple microwave OCC sensors as well as Luminaire Lighting Level Controls for maximum rebates.



BAYFlex shown above outfitted with sensor & wireguards.

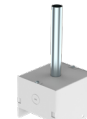
## Mounting



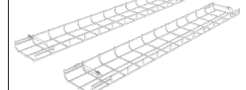
**HBD-SMK**  
Surface Mount Kit



-  
Emergency battery Mount Kit



**HBD-PMK**  
Pendant Mount Kit  
(pole not included)



**HBDN Wire Guard 2 | HBDN Wire Guard 3**

## Sensors



**E1MS-SMW-LVP**  
Microwave Motion Sensor  
12V Plug-in (Aux jack)



**E1MS-SMW-RC**  
Remote Control  
for E1MS-SMW-LVP



**E1MS-SBTMW-LVP**  
Bluetooth Microwave Motion  
Sensor 12V Plug-in (Aux jack)

## Load Information

<b>Input Voltage</b>	120-277 Vac	
<b>Power Factor</b>	>0.9	
<b>THD</b>	<30%	
<b>Low Temp Start</b>	-20°C (-4°F)	
<b>Max Temp</b>	50°C (122°F)	
<b>Unit Weight</b>	2FT	6.5 lbs
	3FT	10.9 lbs

## Shipping Information

Item	Weight	Box Qty.
2FT(24"x11.5")	7.25 lbs	1 per pack
3FT	12.2 lbs	1 per pack

## Lumen Maintenance

Housing Type	Ambient Temperature	TM-21 Lumen Maintenance (50,000 hours)	Theoretical L70 (hours)
2FT	25°C	>90%	54,000
3FT	25°C	>91%	54,000

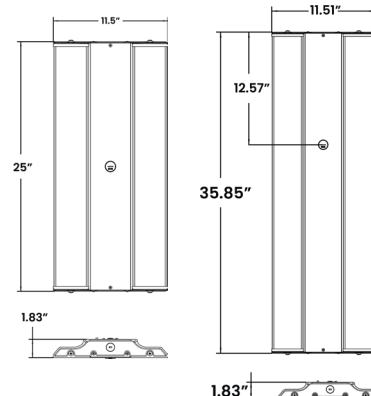
## Dimensions

### 2FT Base

HBDNP145E850D  
HBDNP240E850D  
HBDNP300E850D

### 3FT Base

HBDNP350E840D  
HBDNP435E850D



## Model Ordering Number

Series Prefix	DLC	Lumens	CRI	CCT	Dimming
<b>HBDN</b>	<b>P</b>	<b>145E</b>	<b>8</b>	<b>50</b>	<b>D</b>
<b>HBDN</b> Energetic LED Linear Highbay with Angle Adjustable Light Panels	<b>P</b> 5.1 Premium	<b>145</b> 14500lm <b>240</b> 22000lm <b>300</b> 28000lm  <b>350</b> 34000lm <b>435</b> 42500lm	<b>8</b> 80 CRI	<b>40</b> 4000K <b>50</b> 5000K	<b>D</b> 0-10V Dimmable (default)

**Ordering Examples:**

1. For HBDNP 100W 5000K Fixture 100-277V	<b>Model#:</b> HBNP145E850D
2. For HBDNP 100W 5000K Fixture 100-277V with Wire Guard 100W + 12V Microwave Motion Sensor E1MS-SMW	<b>Model#:</b> HBNP145E850D
*REFER TO PAGE 4 FOR MOUNTING & SENSOR OPTIONS*	Wire Guard 100W <b>WG-A</b>
	Microwave Motion Sensor 12V Plug-in (Aux jack) <b>E1MS-SMW-LVP</b>

## STOCK ORDER INFORMATION

### 2 FT Housing 100-277V

Model Number	Order #	Lumens	Wattage	LPW	Color Temp	CRI	Voltage	Dimming	DLC	Pallet Qty
HBDNP145E850D	81081	14500LM	100W	145	5000k	80+	120-277V	0-10V	5.1 P	TBA
HBDNP240E850D	81083	22000LM	160W	145	5000k	80+	120-277V	0-10V	5.1 P	TBA
HBDNP300E850D	81084	28000LM	200W	140	5000k	80+	120-277V	0-10V	5.1 P	TBA

### 3FT Housing 100-277V

Model Number	Order #	Lumens	Wattage	LPW	Color Temp	CRI	Voltage	Dimming	DLC	Pallet Qty
HBDNP350E840D	81085	34000LM	240W	140	5000k	80+	120-277V	0-10V	5.1 P	TBA
HBDNP435E850D	81087	42500LM	300W	140	5000k	80+	120-277V	0-10V	5.1 P	TBA

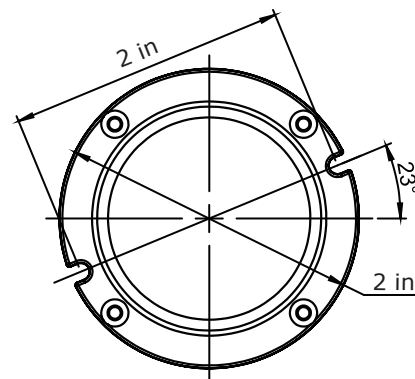
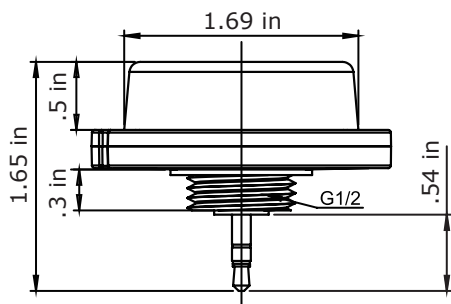
## Optional Accessories

Model Number	Order #	Description
HBD-SMK	81089	Surface Mount Kit
HBD-PMK	81090	Pendant Mount Kit
HBD-WG2	81092	Wire Guard (80W, 100W, 120W, 160W, 200W)
HBD-WG3	81091	Wire Guard (240W, 280W, 300W)
E1MS-SMW-LVP	98027	Microwave Motion Sensor 12V plug-in (Aux Jack)
E1MS-SBTMW-LVP	98028	Bluetooth Smart Integrated Motion Sensor 12V plug-in (Aux Jack)
E1MS-SMW-RC	80026	Remote for E1MS-SMW-LVP sensor
E1XF-H150	98090	Stepdown Transformer 480V to 277VAC 150W
E1XF-H250	98091	Stepdown Transformer 480V to 277VAC 250W
E1XF-H325	98092	Stepdown Transformer 480V to 277VAC 325W

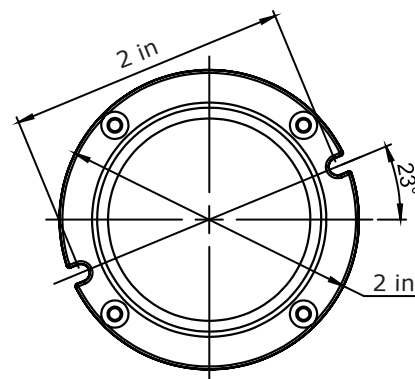
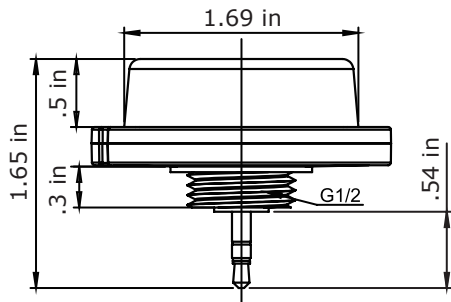


**Accessories Dimensions**

**12V Microwave Motion Sensor E1MS-SMW-LVP**

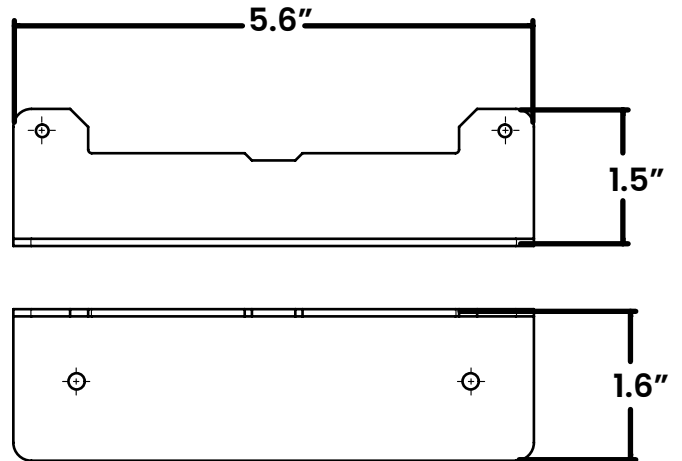
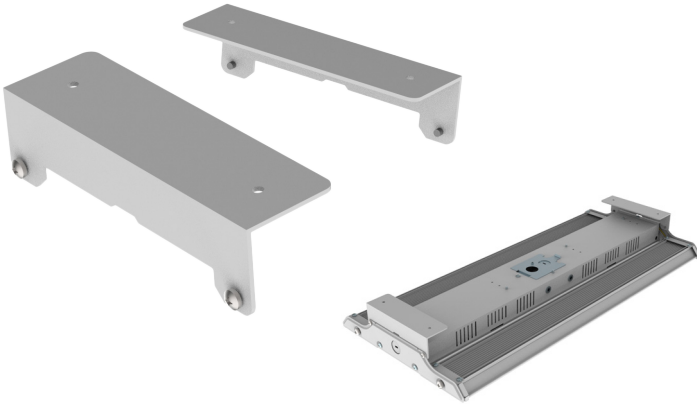


**12V Bluetooth Microwave Motion Sensor Sensor E1MS-SBTMW-LVP**

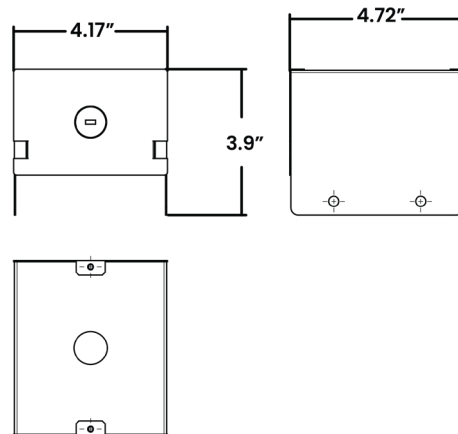




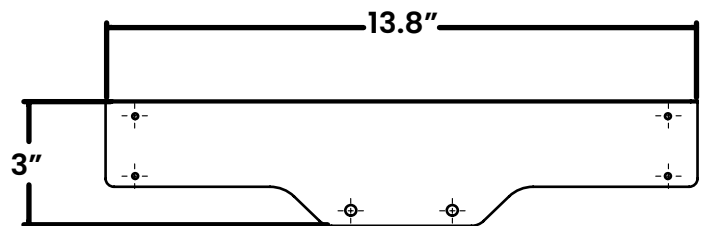
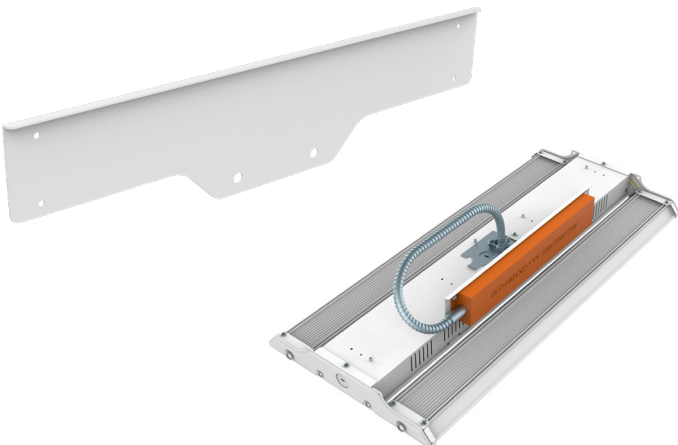
**Surface Mount Kit**



**Pendant Mount Kit**



**Bayflex Plate and Hardware**



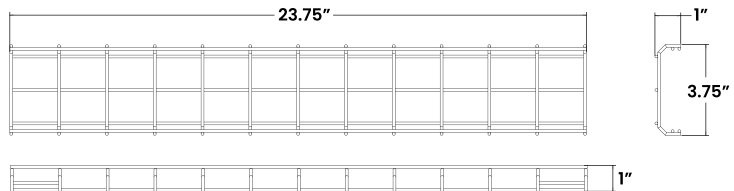
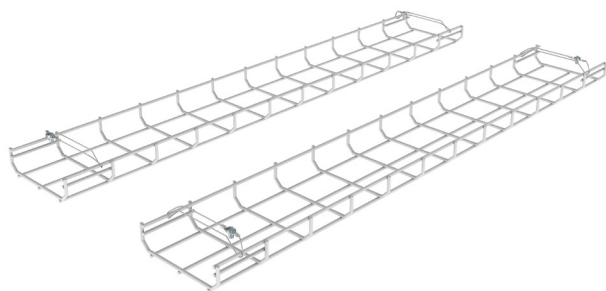


**ENERGETIC**  
L I G H T I N G

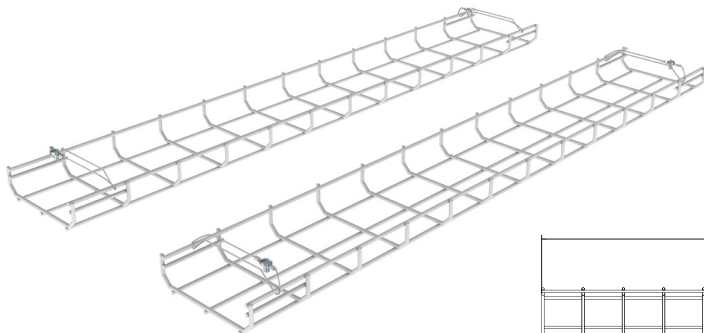
## BAYFlex

LED Linear Highbay with Angle Adjustable Light Panels  
• 50,000 System Lifetime • 10 Year Limited Warranty

### Wire Guard A (A 80W, 100W, 120W, 160W & 200W)



### Wire Guard B (B 240W, 280W, 300W)





**ENERGETIC**<sup>®</sup>  
L I G H T I N G

## **BAYFlex**

LED Linear Highbay with Angle Adjustable Light Panels  
• 50,000 System Lifetime • 10 Year Limited Warranty

### **NOTES:**