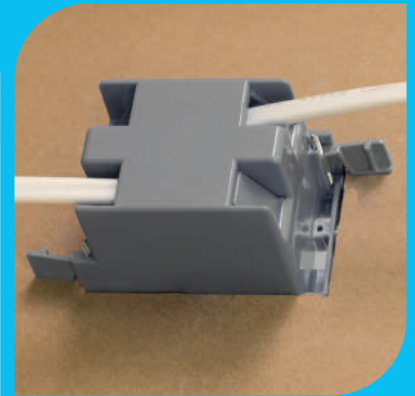




EPB

OUTLET BOX

NEW

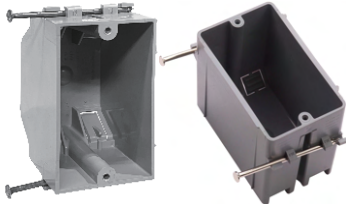


The Energetic EPB Outlet Boxes offers a selection of the most common non-metallic electrical switch, outlet and ceiling boxes in multiple sizes and styles to meet all your new construction and renovation project needs. EPB Series BOXES are easy to install, long-wearing, and maintenance-free. Energetic offers many styles of BOXES in multiple sizes and gang applications to meet all of your new and old work project needs. Energetic Outlet Boxes are all ETL listed for use as in Article 314 of the National Electrical code. They are also 2-hour fire-rated when applicable.

We started in lighting 45 years ago and now are offering electrical junction boxes. Some did it the other way around. Energetic brings its decades of mass production, automation experience, materials management, together to launch the EPB Outlet boxes at a value.

**EPB-1G18/EPB-1G18-KO
EPB-1G20/EPB-1G20-KO
EPB-1G23/EPB-1G23-KO
PLASTIC OUTLET BOX**

One-Gang



OVERVIEW

Energetic Lighting's EPB-1G18, EPB-1G18-KO, EPB-1G20, EPB-1G20-KO, EPB-1G23 and EPB-1G23-KO are 1-gang, electrical switch and outlet boxes for residential or light commercial electrical installations with 4 knockouts/4 Integral Clamps for easy wiring and enhanced angled nails for more secure mounting between studs. Designed and listed for use with non-metallic sheathed cable in accordance with Article 314 of the National Electrical Code.

KEY FEATURES

- Designed to work with most standard 1-gang devices and switches.
- Attached nails for mounting included.
- Engineered for easy, cost saving installation and constructed with resilient PVC for durability.
- ETL Listed, ETL 2 Hour Fire-rated.
- Grey.
- Made in CHINA.



2 hour fire-rated

18 Cubic Inch

Part Number	Cubic Capacity	Length	Width	Depth
EPB-1G18	18 cu in 4 Integral Clamps	4-1/8"	2-3/8"	2-7/8"
EPB-1G18-KO	18 cu in With 4 Knockouts	4-1/8"	2-3/8"	2-7/8"

20 Cubic Inch

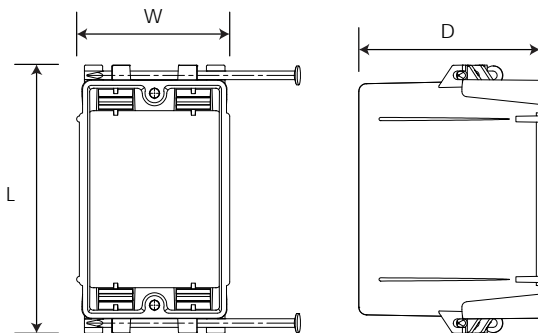
Part Number	Cubic Capacity	Length	Width	Depth
EPB-1G20	20 cu in 4 Integral Clamps	4-1/8"	2-3/8"	3-1/4"
EPB-1G20-KO	20 cu in With 4 Knockouts	4-1/8"	2-3/8"	3-1/4"

23 Cubic Inch

Part Number	Cubic Capacity	Length	Width	Depth
EPB-1G23	23 cu in 4 Integral Clamps	4-1/8"	2-3/8"	3-1/2"
EPB-1G23-KO	23 cu in With 4 Knockouts	4-1/8"	2-3/8"	3-1/2"

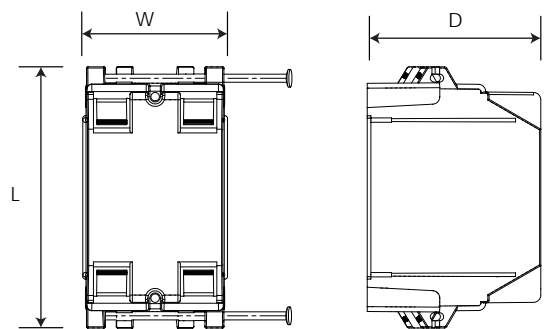
Dimensions are nominal

Four Integral Clamps



Dimensions are nominal

Four Integral Clamps



EPB-2G32 PLASTIC OUTLET BOX

Two-Gang



2 hour fire-rated

OVERVIEW

Energetic Lighting's EPB-2G32 are 2-gang, electrical switch and outlet boxes for residential or light commercial electrical installations with 6 Integral Clamps for easy wiring and enhanced angled nails for more secure mounting between studs. Designed and listed for use with non-metallic sheathed cable in accordance with Article 314 of the National Electrical Code.

KEY FEATURES

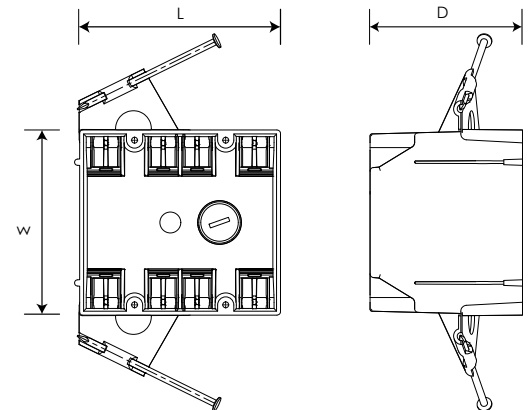
- Designed to work with most standard 2-gang devices and switches.
- Attached nails for mounting included.
- Engineered for easy, cost saving installation and constructed with resilient PVC for durability.
- ETL Listed, ETL 2 Hour Fire-rated.
- Grey.
- Made in CHINA.

32 Cubic Inch

Part Number	Cubic Capacity	Length	Width	Depth
EPB-2G32	32 cu in 6 Integral Clamps	4"	3-3/4"	3"

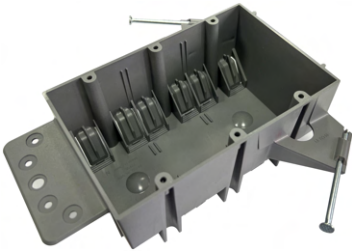
Dimensions are nominal

Six Integral Clamps



EPB-3G44 PLASTIC OUTLET BOX

Three-Gang

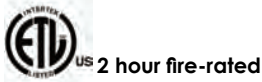


OVERVIEW

Energetic Lighting's EPB-3G44 are 3-gang, electrical switch and outlet boxes for residential or light commercial electrical installations with 10 Integral Clamps for easy wiring and enhanced angled nails for more secure mounting between studs. Designed and listed for use with non-metallic sheathed cable in accordance with Article 314 of the National Electrical Code.

KEY FEATURES

- Designed to work with most standard 3-gang devices and switches.
- Attached nails for mounting included.
- Engineered for easy, cost saving installation and constructed with resilient PVC for durability.
- ETL Listed, ETL 2 Hour Fire-rated.
- Grey.
- Made in CHINA.

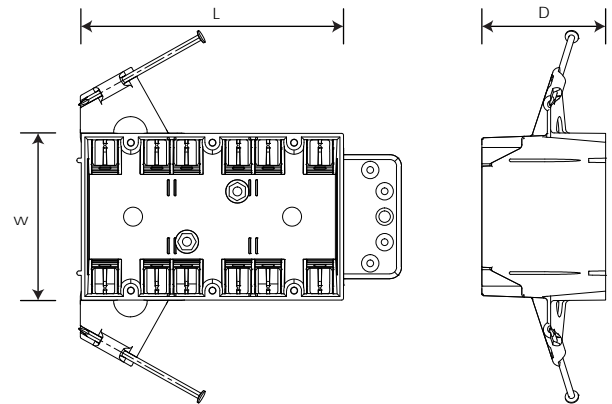


44 Cubic Inch

Part Number	Cubic Capacity	Lenght	Width	Depth
EPB-3G44	44 cu in 10 Integral Clamps	5-7/8"	3-3/4"	2-3/4"

Dimensions are nominal

Ten Integral Clamps





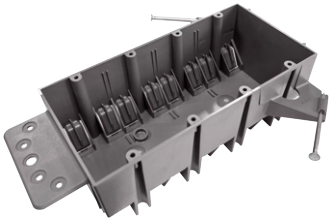
ENERGETIC®
L I G H T I N G

Project:		Catalog #:		Type:	
----------	--	------------	--	-------	--

Prepared by:		Notes:		Date:	
--------------	--	--------	--	-------	--

EPB-4G55 PLASTIC OUTLET BOX

Four-Gang



OVERVIEW

Energetic Lighting's EPB-4G55 are 4-gang, electrical switch and outlet boxes for residential or light commercial electrical installations with 14 Integral Clamps for easy wiring and enhanced angled nails for more secure mounting between studs. Designed and listed for use with non-metallic sheathed cable in accordance with Article 314 of the National Electrical Code.

KEY FEATURES

- Designed to work with most standard 4-gang devices and switches.
- Attached nails for mounting included.
- Engineered for easy, cost saving installation and constructed with resilient PVC for durability.
- ETL Listed, ETL 2 Hour Fire-rated.
- Grey.
- Made in CHINA.



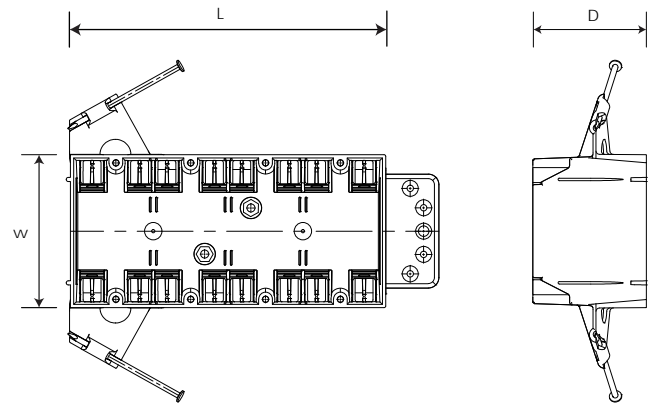
2 hour fire-rated

55 Cubic Inch

Part Number	Cubic Capacity	Length	Width	Depth
EPB-4G55	55 cu in 14 Integral Clamps	7-7/10"	3-3/4"	2-3/4"

Dimensions are nominal

Fourteen Integral Clamps



Project:		Catalog #:		Type:	
Prepared by:		Notes:		Date:	

EPB-R20 PLASTIC OUTLET BOX

Round



2 hour fire-rated

OVERVIEW

Energetic Lighting's EPB-R20 are round, electrical switch and outlet boxes for residential or light commercial electrical installations with 6 Integral Clamps for easy wiring and enhanced angled nails for Energetic more secure mounting between studs. Designed and listed for use with non-metallic sheathed cable in accordance with Article 314 of the National Electrical Code.

KEY FEATURES

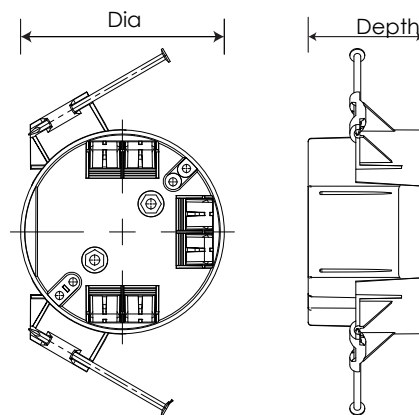
- Designed to work with most standard round devices and switches.
- Attached nails for mounting included.
- Engineered for easy, cost saving installation and constructed with resilient PVC for durability.
- ETL Listed, ETL 2 Hour Fire-rated.
- Grey.
- Made in CHINA.

20 Cubic Inch

Part Number	Cubic Capacity	Dia	Depth
EPB-R20	20 cu in 6 Integral Clamps	4"	2-1/4"

Dimensions are nominal

Six Integral Clamps



Project:		Catalog #:		Type:	
----------	--	------------	--	-------	--

Prepared by:		Notes:		Date:	
--------------	--	--------	--	-------	--

**EPB-R20-HB-G
PLASTIC OUTLET BOX**

Bar Hanger: 16" - 24" with Grounding



OVERVIEW

Energetic Lighting's EPB-R20-HB-G are Bar Hanger: 16" - 24" with Grounding, electrical switch and outlet boxes for residential or light commercial electrical installations with 6 Integral Clamps for easy wiring and enhanced angled nails for more secure mounting between studs. Designed and listed for use with non-metallic sheathed cable in accordance with Article 314 of the National Electrical Code.

KEY FEATURES

- Designed to work with most standard round devices and switches.
- Attached nails for mounting included.
- Engineered for easy, cost saving installation and constructed with resilient PVC for durability.
- ETL Listed, ETL 2 Hour Fire-rated.
- Grey.
- Made in CHINA.



2 hour fire-rated

20 Cubic Inch

Part Number	Cubic Capacity	Dia	Depth
EPB-R20-HB-G	20 cu in 6 Integral Clamps	4"	2-1/4"

Dimensions are nominal

Six Integral Clamps

