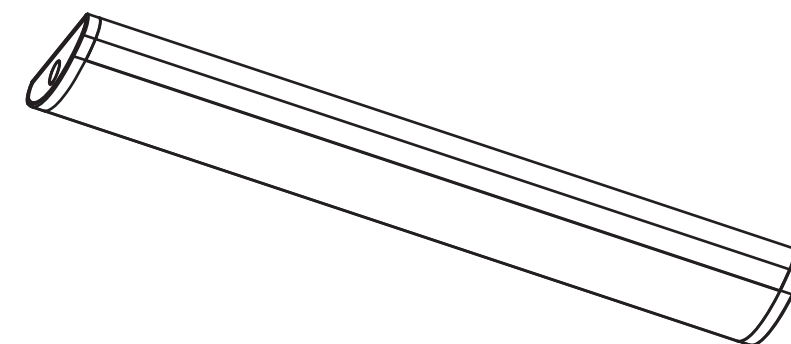


Model # ELYWL2-301 series
ELYWL2-302 series



2-ft/4-ft Flushmount Wrap Light

Installation Instructions



LED
Technology



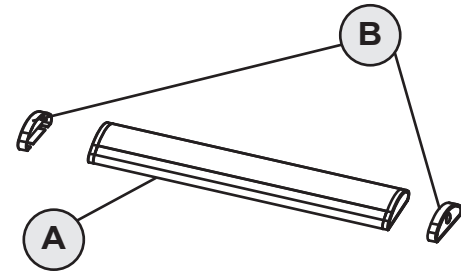
ATTACH YOUR RECEIPT HERE

Item Number _____ Purchase Date _____

Questions, problems, missing parts? Before returning to your retailer, call our customer service department at 1-866-492-6566.

www.energeticlighting.com

PACKAGE CONTENTS



Part	Item Name	Qty.
A	Fixture Body	1
B	Endcap	2

HARDWARE CONTENTS

AA



Wire Nuts
Qty. 3

BB



Drywall Anchor
Qty. 4

CC



Wood Screw
Qty. 4

SAFETY INFORMATION

Please read and understand this entire manual before attempting to assemble, operate or install the product. Failure to do so could lead to electric shock, fire or other injuries that could be hazardous or even fatal.

- Be sure the electricity to the wires you are working on is shut off. Either remove the fuse or turn off the circuit breaker.
- Changes or modifications not expressly approved by the party responsible for compliance could void the user's authority to operate the equipment.
- This product must be installed in accordance with local, state and national electrical codes.
- Installation work shall be completed by a licensed installer that is familiar with the construction and operations of the product.

CAUTION:

- The fixture body is one piece. Do not disassemble it.
- This product can NOT be used with a dimmer switch.

NOTICE

- This device complies with Part 15 of the FCC Rules. Operation is subject to the following two conditions: (1) This device may not cause harmful interference, and (2) this device must accept any interference received, including interference that may cause undesired operation.

SAFETY INFORMATION

- This equipment has been tested and found to comply with the limits for a Class B digital device, pursuant to part 15 of the FCC Rules. These limits are designed to provide reasonable protection against harmful interference in a residential installation. This equipment generates, uses and can radiate radio frequency energy and, if not installed and used in accordance with the instructions, may cause harmful interference to radio or television reception, which can be determined by turning the equipment off and on. The user is encouraged to try to correct the interference by one or more of the following measures:
 - Reorient or relocate the receiving antenna.
 - Increase the separation between the equipment and the receiver.
 - Connect the equipment into an outlet on a circuit different from that to which the receiver is connected.
 - Consult the dealer or an experienced radio/TV technician for help.

PREPARATION

Before beginning assembly of product, make sure all parts are present. Compare parts with package contents list and hardware contents list. If any part is missing or damaged, do not attempt to assemble the product.

Estimated Assembly Time: 20 minutes (two installers are required to finish installation)

Tools Required for Assembly (not included): Phillips screwdriver, flathead screwdriver, safety glasses, hammer, pencil, pliers, power drill and 1/8-in. drill bit or 5/32-in. drill bit.

INSTALLATION INSTRUCTIONS

To ensure a safe and proper installation, an assistant should be available during the installation to support the fixture assembly while work is performed during mounting and wiring of the fixture. Before beginning installation, ensure that power is disconnected to the supply wires.

1. Pull off the two End Caps (B) at both ends of the fixture (A). Align the fixture wires over the junction box so that the fixture body covers the entire junction box opening, and orient the fixture to the intended installation position. With one person holding the fixture in this position, the other installer shall mark the four locations of the mounting holes at both ends of the fixture. Set the fixture aside.

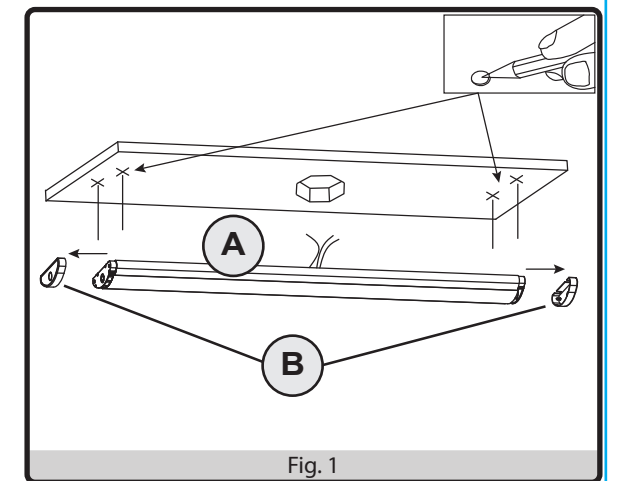
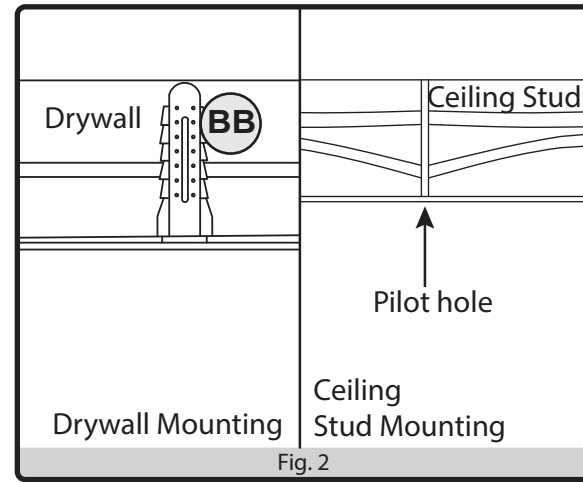


Fig. 1

INSTALLATION INSTRUCTIONS

2. **DRYWALL MOUNTING:** If the mounting holes go through drywall without a stud, drill four small pilot holes using a 1/8-in. drill bit (not included), and install drywall anchors (BB) into the holes with a hammer (not included).

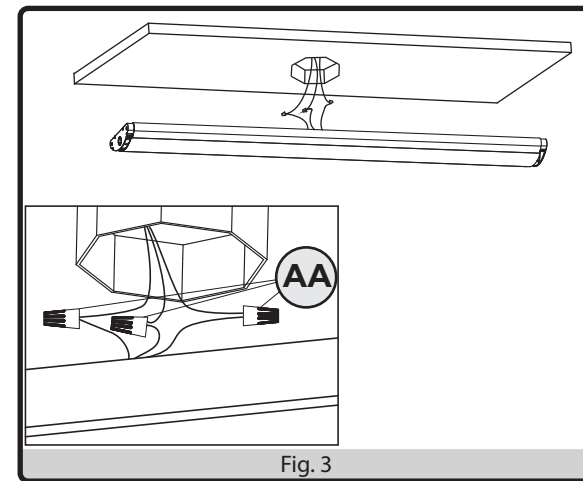
CEILING STUD MOUNTING: If the mounting holes go through ceiling studs, drill four small pilot holes using a 5/32-in. drill bit (not included) for the wood screws (CC). **NOTE:** Do not install wood screws (CC) yet.



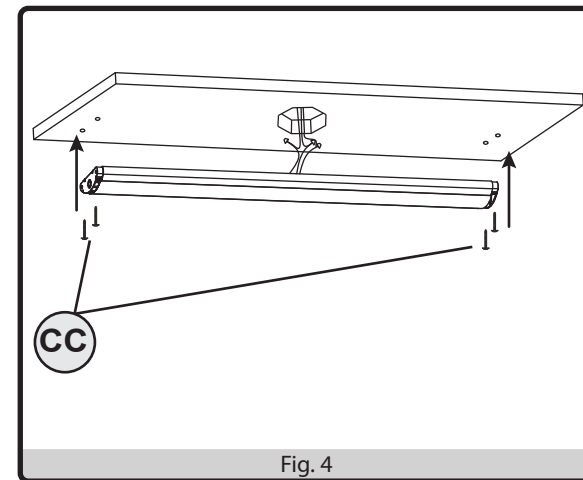
3. Two people are required for this step. Check that black, white and green wires are extending from the back of the fixture (A). Ensure that power is shut off. One person should hold the fixture (A) up to the junction box and the second person should connect the supply wires to the fixture wires -- black to black, white to white, and green to copper/bare.

WARNING: If there is no ground supply wire, stop installation and consult a qualified electrician.

Once wire connections are made, secure each with a wire nut (AA) and tuck all wiring into the junction box.

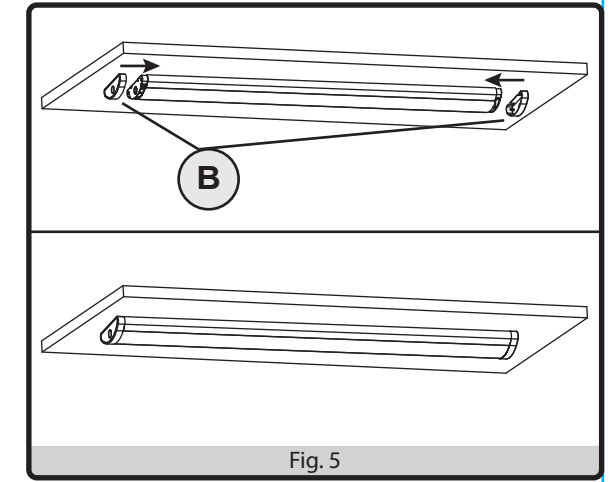


4. Align the fixture (A) so that the mounting holes match up to the pilot holes or drywall anchors (BB). Ensure that the wiring is tucked into the junction box behind the fixture (A). Secure the fixture (A) to the mounting surface using all four wood screws (CC).



INSTALLATION INSTRUCTIONS

5. Put the two end caps on each side of fixture to complete installation.



CARE AND MAINTENANCE

Clean with a mild, non-abrasive glass cleaner and soft cloth. Do NOT use solvents or cleaners containing abrasive agents. When cleaning the fixture, make sure the power is turned off, and any liquid spray should be applied to the cleaning cloth and not sprayed directly onto the fixture itself.

TROUBLESHOOTING

Problem	Possible Solution	Corrective Action
Fixture does not light.	1. Power is off. 2. Incorrect wire connection. 3. Defective wall switch.	1. Check circuit breaker or wall switch. 2. Check wire splices. 3. Replace switch.
Circuit breaker trips when light is turned on.	Crossed wires or power wire is grounded out.	Verify wires are correctly connected.

WARRANTY

This fixture is warranted to perform free from defects for five years. If it fails to do so, you may return it with proof of purchase to 13445 12th St., Chino, CA 91710 for replacement.