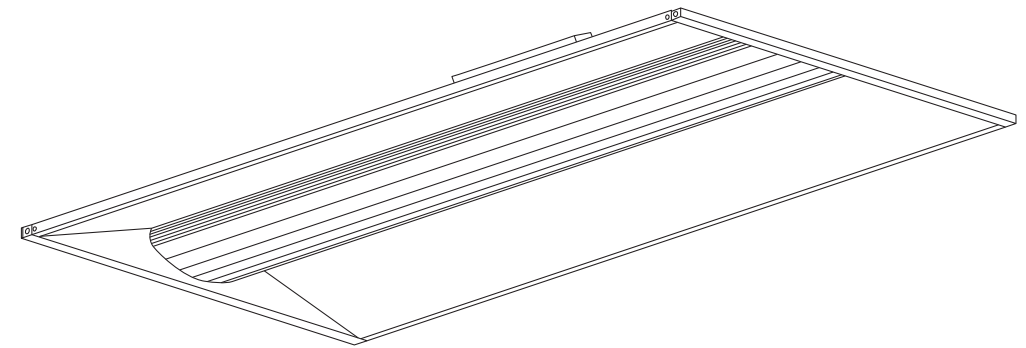


LED Recessed Troffer Retrofit Kit

Installation Instructions

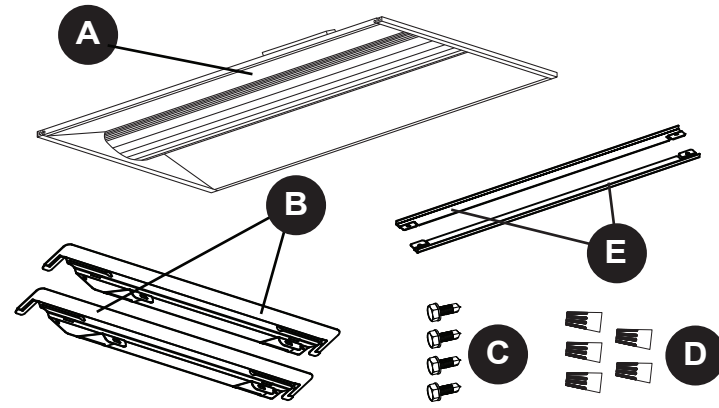


ATTACH YOUR RECEIPT HERE

Item Number _____ Purchase Date _____

Questions, problems, missing parts? Before returning to your retailer, call our customer service department at 1-866-492-6566.

PACKAGE CONTENTS



Part	Item Name	Qty.
A	Retrofit assembly	1
B	Bracket	2
C	Sheet metal screw	4
D	Wire nuts	5
E	Gap channel cover (optional)	2

SAFETY INFORMATION

Please read and understand this entire manual before attempting to assemble, operate or install the product. Failure to do so could lead to electric shock, fire or other injuries that could be hazardous or even fatal.

- Be sure the electricity to the wires you are working on is shut off. Either remove the fuse or turn off the circuit breaker.
- Changes or modifications not expressly approved by the party responsible for compliance could void the user's authority to operate the equipment.

CAUTION:

- This product can only be dimmed with a 0-10 Volt dimming system.

NOTICE

- This device complies with Part 15 of the FCC Rules. Operation is subject to the following two conditions: (1) This device may not cause harmful interference, and (2) this device must accept any interference received, including interference that may cause undesired operation.
- This equipment has been tested and found to comply with the limits for a Class B digital device, pursuant to part 15 of the FCC Rules. These limits are designed to provide reasonable protection against harmful interference in a residential installation. This equipment generates, uses and can radiate radio frequency energy and, if not installed and used in accordance with the instructions, may cause harmful interference to radio or television reception, which can be determined by turning the equipment off and on. The user is encouraged to try to correct the interference by one or more of the following measures:
 - Reorient or relocate the receiving antenna.
 - Increase the separation between the equipment and the receiver.
 - Connect the equipment into an outlet on a circuit different from that to which the receiver is connected.
 - Consult the dealer or an experienced radio/TV technician for help.
- This Class B digital apparatus complies with Canadian ICtES-003.

SAFETY INFORMATION

WARNING

- To prevent wiring damage or abrasion, do not expose wiring to edges of sheet metal or other sharp objects.
- Do not make or alter any open holes in an enclosure of wiring or electrical components during kit installation.
- Verify that supply voltage is correct by comparing it with the luminaire label information.
- All wiring connections should be capped with UL approved wire connectors.
- Minimum 90°C supply conductors.
- Suitable for Damp locations.
- Suitable for Type IC installation.

PREPARATION

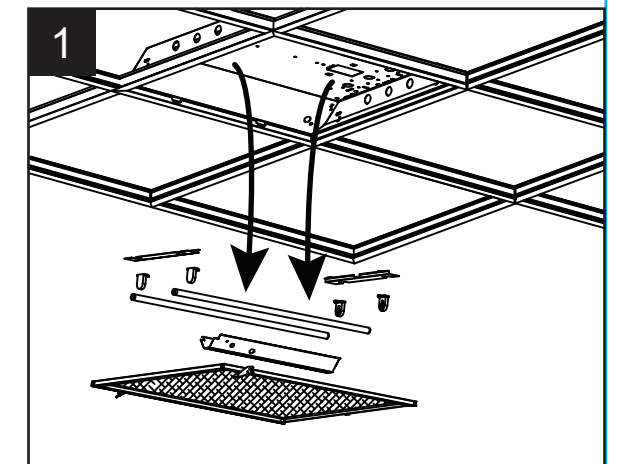
Before beginning assembly of product, make sure all parts are present. Compare parts with package contents list and hardware contents list. If any part is missing or damaged, do not attempt to assemble the product.

Estimated Assembly Time: 20 minutes

INSTALLATION INSTRUCTIONS

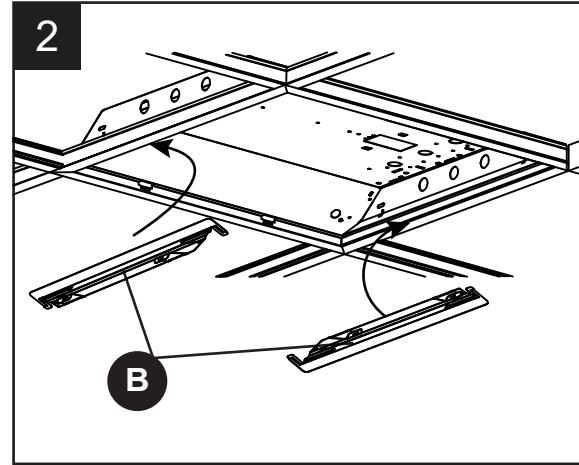
1. Ensure that the power to existing fixture has been shut off before proceeding with the installation of this retrofit kit.

Remove from the existing troffer the lens or louver, hinged frame, all fluorescent lamps, wiring/ballast compartment cover, ballast, lampholder sockets and rail.

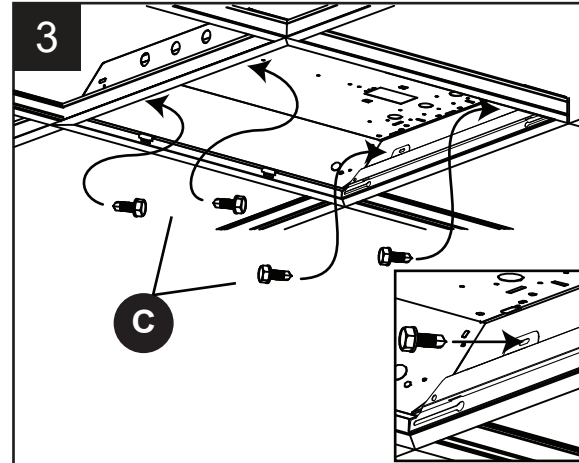


INSTALLATION INSTRUCTIONS

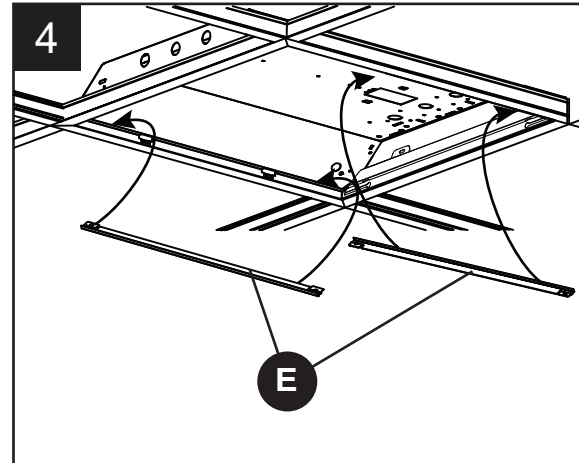
2. Slide the two brackets (B) on each side (2-ft ends) of the existing fixture housing so that the flat base is resting between the existing fixture edge and the drop ceiling T-grid support lip.



3. Using the sheet metal screws (C) provided, drill through the existing housing and secure the two brackets (B) on each side with two screws each with the tabs on each of the brackets (B) as shown.

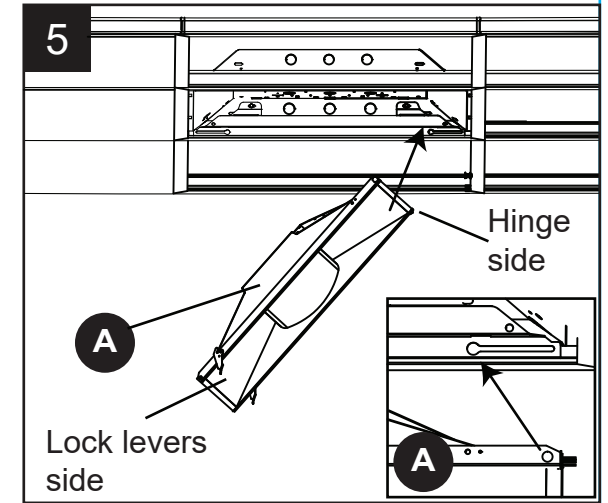


4. **Optional:** The retrofit kit will leave two gap channels along the length of each side of the fixture and may appear undesirable, especially if the troffer fixture body is not a white surface to match the retrofit color. This gap can be covered by installing the two optional gap channel cover (E) pieces at both sides of the fixture by interlocking the ends to each of the two brackets (B).



INSTALLATION INSTRUCTIONS

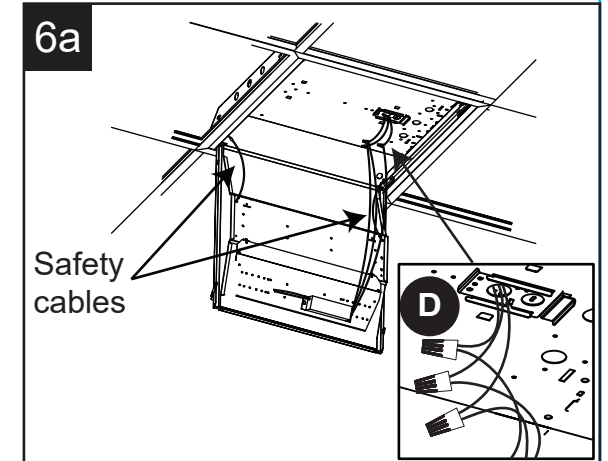
5. Hang the retrofit assembly (A) onto the installed bracket (B) by inserting the hinge pins into the keyhole slots on each of the brackets (B). Slide the hinge pins to the narrow end of the keyhole slots and ensure that the retrofit assembly is secured before releasing the retrofit assembly.



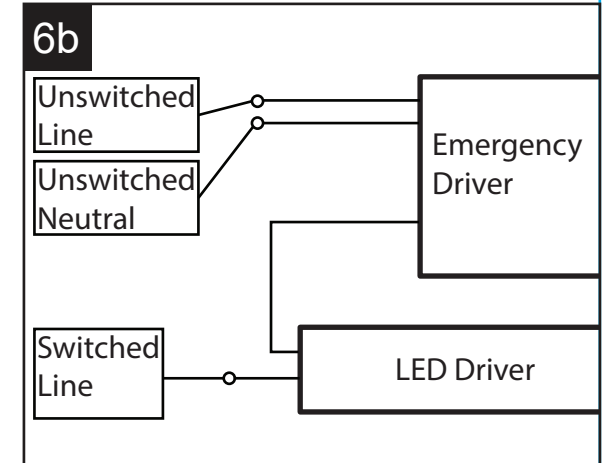
6a. Hook the safety cables onto a hook or hole on the fixture housing as a secondary safety support.

Connect the fixture wires to the supply wires -- black to black, white to white, and green to green/bare.
WARNING: If there is no ground supply wire, stop installation and consult a qualified electrician.

NOTE: If a 0-10v dimming system is available, connect the purple and gray wires to the corresponding purple and gray wires in the building dimming system. If no dimming is required, leave the wires unconnected.

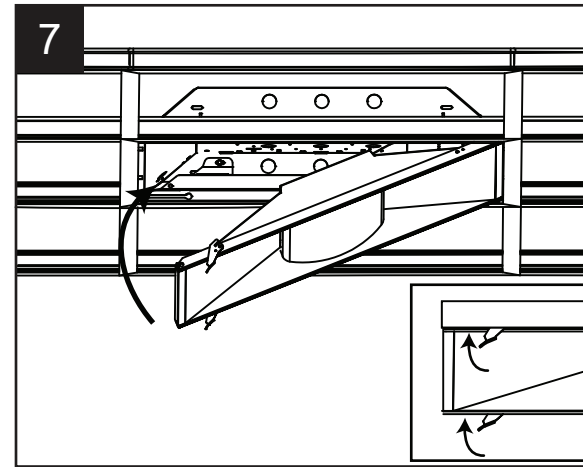


6b. If the model includes an emergency battery back up system, connect the building unswitched Line (black) and Neutral (white) to the Emergency Driver, and connected the switched line to the LED driver (black to black).



INSTALLATION INSTRUCTIONS

7. Swing the retrofit assembly (A) up into the fixture housing until flush with the ceiling perimeter. Close the two latches on each side and make sure that retrofit assembly is fully secured at both ends before completing installation.



MAINTENANCE AND CARE

Clean with a mild, non-abrasive glass cleaner and soft cloth. Do NOT use solvents or cleaners containing abrasive agents. When cleaning the fixture, make sure the power is turned off, and any liquid spray should be applied to the cleaning cloth and not sprayed directly onto the fixture itself.

TROUBLESHOOTING

Problem	Possible Solution	Corrective Action
Fixture does not light.	1. Power is off. 2. Incorrect wire connection. 3. Defective wall switch.	1. Check circuit breaker or wall switch. 2. Check wire splices. 3. Replace switch.
Circuit breaker trips when light is turned on.	Crossed wires or power wire is grounded out.	Verify wires are correctly connected.

WARRANTY

This fixture is warranted to perform free from defects for five (5) years. If it fails to do so, you may return it with proof of purchase to 13445 12th St., Chino, CA 91710 for replacement.

Printed in China
www.energeticlighting.com