

Project:	Catalog#:	Type:
Prepared By:	Notes:	Date:

## E4SB

LED Area Light  
2 housing profile options • 10 Year Limited Warranty



custom color available



## Overview

E4SB series area light from Energetic is engineered to respect the classic look of a shoebox area light, while the slim tapered, self-cleaning profile suggests exceptional performance. Incorporating the latest in LED, driver technology, and thermal management with a tested efficacy up to 141 LM/W across the family wattages from 100W through 300W. This performance and design makes the E4SB series ideal for replacing legacy fixtures from 250W to 1000W MHD. Options include multiple mounting configurations and NEMA PC receptacle. Other key features include: Bottom side access door, large area heat sinking above arrays, single panel optics, standard SPD of 10 KA/KV, and low EPA ratings. With optional slip fitters, trunnion, fixed arm, and yoke mounts available for separate purchase, see mounting options below for more information. E4SB can also be used for up-lighting as well as wall washing.

## Features

- Full cutoff light profile
- Ground facing access door
- Isolated driver and LED array for better thermal management
- IP65 | Suitable for wet location use
- 5 Different Mounting Options available to suit any application challenges
- Dimmable with 1-10V system
- Integrated 10 KA/KV SPD surge protection
- Type III-M and V Lens Options are available

## Applications

- Parking Lots
- General Area Lighting
- Security Lighting
- Wall Wash
- Landscaping

## Highlights



Photocell or Short cap attachment as an accessory.



Easy accessible compartment for fast and safe install



Optional factory install of PIR 12-24V, 100-277V, & Microwave sensors are fitted in this location

## Mounting Options



**E4SB-FX-A | E4SB-FX-B**  
Fixed arm  
3" wide



**E4SB-SA-A**  
Adjustable arm



**E4SB-SF-A** | Slip fitter



**E4SB-TR-A** | Trunnion (swivel)

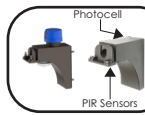


**E4SB-YO-A** | Yoke A  
100W, 150W



**E4SB-YO-B**  
Yoke B 240-300W

## Mounting Arms



**E4SB-FX-A**  
Fixed arm  
3" wide



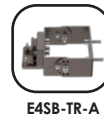
**E4SB-FX-B**  
Fixed arm  
3" wide



**E4SB-SA-A**  
Adjustable arm  
3" wide



**E4SB-SF-A**  
Slip fitter  
2"-2-1/2" wide



**E4SB-TR-A**  
Trunnion (Swivel)  
5" wide



**E4SB-YO-A**  
Yoke  
100W, 150W



**E4SB-YO-B**  
Yoke  
240W-300W

(This mounting has photocell or sensors options NOT INCLUDED, available for purchasing)

(Refer to Pg. 3 for Wall/Pole Mounts)

## Sensors/ Factory Install Items



**E3MS-IRL-INT-W**  
PIR Sensor 12-24V  
(not for 277-480)



**E3MS-IR-INT-W**  
PIR Sensor 100-277V  
(not for 277-480)



**E3MS-MW-INT-W**  
Microwave Sensor  
100-277V  
(not for 277-480)



**E1MS-SMW-RC**  
Remote control for  
E1MS-SMW-LVP



**NPCELL480-3P**  
Photocell



**NPORT480-3P**  
Receptacle



**E1ACC-SHORT**  
Shorting Cap

Photocell, Receptacle, and Shorting Cap are Factory Install ONLY.  
(Refer to Pg. 4. for MTO ordering codes)

## Load Information

<b>Input Voltage</b>	100-277Vac
<b>Power Factor</b>	>0.99
<b>THD</b>	<20%
<b>Low Temp Start</b>	-40°C (40°F)
<b>Max Temp</b>	45°C (113°F)
<b>Unit Weight</b>	standard 8 LBS large 14 LBS

## Shipping Information

Item	Weight	Box Qty.
Standard profile	8 lbs	1 per
Large profile	14 lbs	1 per

## Lumen Maintenance

Housing Type	Ambient Temperature	TM-21 Lumen Maintenance (50,000 hours)	Theoretical L70 (hours)
Standard profile	25°C	>88.58%	54,000
Large profile	25°C	>88.58%	54,000

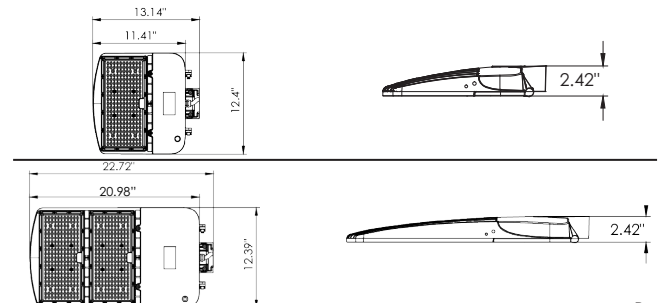
## Dimensions

### Small Profile Housing

- E4SB100D3C-850
- E4SB150D3C-850
- E4SB150D3-850
- E4SBH100D3C-850
- E4SBH150D3C-850

### Large Profile Housing

- E4SB240D3C-850
- E4SB300D3C-850
- E4SBH240D3C-850
- E4SBH300D3C-850



## Model Ordering Number

Series Prefix	Wattage	Dimming	Optics/ Distribution	Control Options	CRI	CCT
<b>E4SB</b>	<b>100</b>	<b>D</b>	<b>3</b>	<b>C</b>	<b>8</b>	<b>50</b>
<b>E4SB</b> <b>E4SBH</b> Energetic Shoebox Area Light Series	<b>100</b> 100w <b>150</b> 150w <b>240</b> 240w <b>300</b> 300w	<b>D</b> 0-10v Dimmable (default)	<b>3</b> Type III-M (Default)  Optional type V lens available refer to pg4 for Factory Install Options	<b>C</b> Metal Cap A factory removable cap required can be used for factory installation of 3-Pin Socket for Photo-controls. See: MTO-NPCM-277-3P MTO-NPCM-480-3P respectively <b>[Blank]</b> No metal cap. This model cannot be modified for socket or photo- controls in the main fixture	<b>8</b> 80 CRI	<b>30</b> 3000K <b>40</b> 4000K <b>50</b> 5000K

**Ordering Examples:**

1. For E4SB 100W 5000K Type III Lens Fixture 100-277V

2. For E4SB 100W 5000K Type V Fixture 100-277V with Photocell Module + Trunnion + Powercoating Fixture for custom color + Powercoating Mounting for custom color

\*REFER TO PAGE 3 FOR MOUNTING & SENSOR OPTIONS\*

Model#:	E4SB100D3C-850
Model#:	E4SB100D3C-850
Type V lens	E4SB-OPT-VA
Photocell module	MTO-NPCM-277-3P
Trunnion	E4SB-TR-A
Powercoating Fixture RAL Code	MTO-CLR-SB RAL 6035
Powercoating Mounting RAL Code	MTO-CLR-SBM RAL 6035

## STOCK ORDER INFORMATION

### 3000K CCT, Small Housing Profile 100-277V

Model Number	Order #	Lumens	Wattage	LPW	Color Temp	CRI	Voltage	MH Equip.	BUG	Dimming	DLC	Pallet Qty
E4SB100D3C-830	75230	14000	100	140	3000	80	100-277	200-400 MH	B3-U2-G3	1-10V	N/A	60
E4SB150D3C-830	75231	21000	150	140	3000	80	100-277	320-400 MH	B3-U2-G3	1-10V	N/A	60

### 4000K CCT, Small Housing Profile 100-277V

Model Number	Order #	Lumens	Wattage	LPW	Color Temp	CRI	Voltage	MH Equip.	BUG	Dimming	DLC	Pallet Qty
E4SB100D3C-840	75250	14000	100	140	4000	80	100-277	200-400 MH	B3-U2-G3	1-10V	N/A	60
E4SB150D3C-840	75251	21000	150	140	4000	80	100-277	320-400 MH	B3-U2-G3	1-10V	N/A	60

### 5000K CCT, Small Housing Profile 100-277V

Model Number	Order #	Lumens	Wattage	LPW	Color Temp	CRI	Voltage	MH Equip.	BUG	Dimming	DLC	Pallet Qty
E4SB100D3C-850	75200	14000	100	140	5000	80	100-277	200-400 MH	B3-U2-G3	1-10V	N/A	60
E4SB150D3C-850	75201	21000	150	140	5000	80	100-277	320-400 MH	B3-U2-G3	1-10V	N/A	60
E4SB150D3-850	75202	21000	150	140	5000	80	100-277	320-400 MH	B3-U2-G3	1-10V	N/A	60

### 3000K CCT, Small Housing Profile 100-277V

Model Number	Order #	Lumens	Wattage	LPW	Color Temp	CRI	Voltage	MH Equip.	BUG	Dimming	DLC	Pallet Qty
E4SB240D3C-830	75253	33600	240	140	3000	80	100-277	750 MH	B3-U2-G4	1-10V	N/A	30
E4SB300D3C-830	75254	42000	300	140	3000	80	100-277	1000 MH	B3-U2-G4	1-10V	N/A	30

### 4000K CCT, Large Housing Profile 100-277V

Model Number	Order #	Lumens	Wattage	LPW	Color Temp	CRI	Voltage	MH Equip.	BUG	Dimming	DLC	Pallet Qty
E4SB240D3C-840	75253	33600	240	140	4000	80	100-277	750 MH	B3-U2-G4	1-10V	N/A	30
E4SB300D3C-840	75254	42000	300	140	4000	80	100-277	1000 MH	B3-U2-G4	1-10V	N/A	30

### 5000K CCT, Large Housing Profile 100-277V

Model Number	Order #	Lumens	Wattage	LPW	Color Temp	CRI	Voltage	MH Equip.	BUG	Dimming	DLC	Pallet Qty
E4SB240D3C-850	75203	33600	240	140	5000	80	100-277	750 MH	B3-U2-G4	1-10V	N/A	30
E4SB300D3C-850	75204	42000	300	140	5000	80	100-277	1000 MH	B3-U2-G4	1-10V	N/A	30

Small Housing Profile

Large Housing Profile



**STOCK ORDER INFORMATION HIGH VOLTAGE**

Small Housing Profile

**3000K CCT, Small Housing Profile 277-480V**

Model Number	Order #	Lumens	Wattage	LPW	Color Temp	CRI	Voltage	MH Equip.	BUG	Dimming	DLC	Pallet Qty
E4SBH100D3C-830	75240	14000	100	140	3000	80	277-480	200-400 MH	B3-U2-G4	1-10V	N/A	60
E4SBH150D3C-830	75241	21000	150	140	3000	80	277-480	320-400 MH	B3-U2-G4	1-10V	N/A	60

**4000K CCT, Small Housing Profile 277-480V**

Model Number	Order #	Lumens	Wattage	LPW	Color Temp	CRI	Voltage	MH Equip.	BUG	Dimming	DLC	Pallet Qty
E4SBH100D3C-840	75260	14000	100	140	4000	80	277-480	200-400 MH	B3-U2-G4	1-10V	N/A	60
E4SBH150D3C-840	75261	21000	150	140	4000	80	277-480	320-400 MH	B3-U2-G4	1-10V	N/A	60

**5000K CCT, Small Housing Profile 277-480V**

Model Number	Order #	Lumens	Wattage	LPW	Color Temp	CRI	Voltage	MH Equip.	BUG	Dimming	DLC	Pallet Qty
E4SBH100D3C-850	75220	14000	100	140	5000	80	277-480	200-400 MH	B3-U2-G4	1-10V	N/A	60
E4SBH150D3C-850	75221	21000	150	140	5000	80	277-480	320-400 MH	B3-U2-G4	1-10V	N/A	60

Large Housing Profile

**3000K CCT, Large Housing Profile 277-480V**

Model Number	Order #	Lumens	Wattage	LPW	Color Temp	CRI	Voltage	MH Equip.	BUG	Dimming	DLC	Pallet Qty
E4SBH240D3C-830	75242	33600	240	140	3000	80	277-480	750 MH	B3-U2-G4	1-10V	N/A	30
E4SBH300D3C-830	75243	42000	300	140	3000	80	277-480	1000 MH	B3-U2-G4	1-10V	N/A	30

**4000K CCT, Large Housing Profile 277-480V**

Model Number	Order #	Lumens	Wattage	LPW	Color Temp	CRI	Voltage	MH Equip.	BUG	Dimming	DLC	Pallet Qty
E4SBH240D3C-840	75262	33600	240	140	4000	80	277-480	750 MH	B3-U2-G4	1-10V	N/A	30
E4SBH300D3C-840	75263	42000	300	140	4000	80	277-480	1000 MH	B3-U2-G4	1-10V	N/A	30

**5000K CCT, Large Housing Profile 277-480V**

Model Number	Order #	Lumens	Wattage	LPW	Color Temp	CRI	Voltage	MH Equip.	BUG	Dimming	DLC	Pallet Qty
E4SBH240D3C-850	75223	33600	240	140	5000	80	277-480	750 MH	B3-U2-G4	1-10V	N/A	30
E4SBH300D3C-850	75224	42000	300	140	5000	80	277-480	1000 MH	B3-U2-G4	1-10V	N/A	30

Accessories

**Optional Accessories**

Model Number	Order #	Description
E4SB-SF-A	75205	Slip fitter
E4SB-SA-A	75206	Adjustable arm
E4SB-TR-A	75207	Trunnion (swivel)
E4SB-YO-A	75208	Yoke (100W, 150W, 200W)
E4SB-YO-B	75209	Yoke (240W, 300W)
E4SB-FX-A	75210	Fixed arm

Wall/Pole Mounting

**Wall/Pole Mounting \*Refer to page 7-10\***

Model Number	Order #	Description
E1MNT-TNRV1	99006	90° U-bar bracket
E1MNT-TNRVC1	99007	90° Right angle bracket
E1MNT-TNH1	99002	180° Straight bar bracket
E1ST-TN1	85008	Round pole adapter for 1 head
E1ST-TN2	99010	Round pole adapter for 2 heads
E1ST-TN3	99011	Round pole adapter for 3 heads(Y Type)
E1ST-TN3A	99013	Round pole adapter for 3 heads(T Type)
E1ST-TN4	99012	Round pole adapter for 4 heads(X-Type)
E1MNT-TRAN4	99004	Square pole to round convertor (Vice Versa)
E1MNT-TNH2	99003	Square pole to round adapter for 2 heads
E1MNT-BH2	99021	Round pole bullhorn for 2 heads
E1MNT-BH3	99022	Round pole bullhorn for 3 heads

Factory Install ONLY Accessories

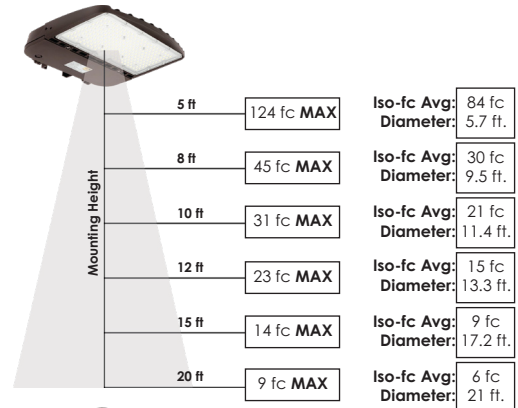
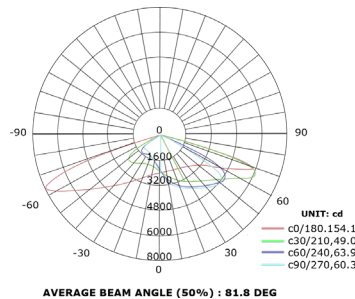
**Factory Install Options:**

Model Number	Order #	Description
MTO-NPCM-277-3P	98039	PHOTOCELL NPCELL277-3P 100-277V   Receptacle NPORT480-3P (Not for 277-480)
MTO-NPCM-480-3P	98040	PHOTOCELL NPCELL480-3P 0-480V   Receptacle NPORT480-3P
MTO-NSHTM	98041	Shorting Cap E1ACC-SHORT 0-480V/BLACK   Receptacle NPORT480-3P
MTO-E3MS-IRL-INT-W	98042	PIR Sensor 12-24 E3MS-IRL-INT-W (Not for 277-480)
MTO-E3MS-MW-INT-W	98043	Microwave Motion Sensor (100-277V) E3MS-MW-INT-W (Not for 277-480)
MTO-E3MS-IR-INT-W	98044	PIR Sensor 100-277V E3MS-IR-INT-W (Not for 277-480)
MTO-E1MS-SMW-RC	98051	Remote Control for E1MS-SMW-LVP
MTO-CLR-SB	99564	Powdercoating Fixture for custom color (Use RAL code for desired for fixture color)
MTO-CLR-SBM	99565	Powdercoating Mounting for custom color (Use RAL code for desired for Mounting color)
MTO-E4SB-OPT-VA-S	99568	Installation for Type V optic E4SB-OPT-VA (1pc) for 100W, 150W
MTO-E4SB-OPT-VA-L	99569	Installation for Type V optic E4SB-OPT-VA (2pc) for 240W, 300W

**PHOTOMETRIC DATA**

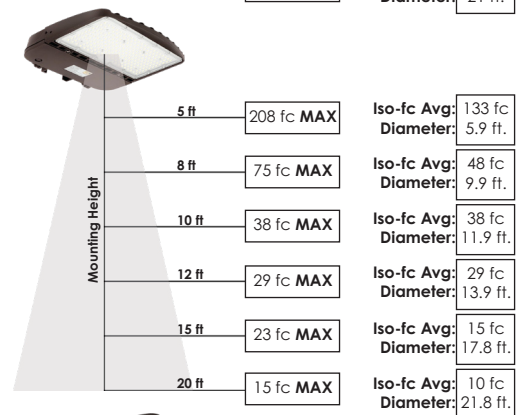
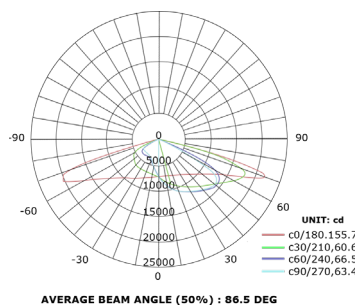
Model: E4SB100DC3-850  
 Test Report: E4SB100DC3-850.ies  
 CCT: 5000  
 Lamp Type: LED  
 Lumens: 14000 LM  
 Input Watts: 100 W  
 Efficacy: 140 LM/W  
 IESNA: Type III-M  
 BUG Rating: B3-U2-G3

**Lumen Intensity Graph:**  
E4SB100DC3-850



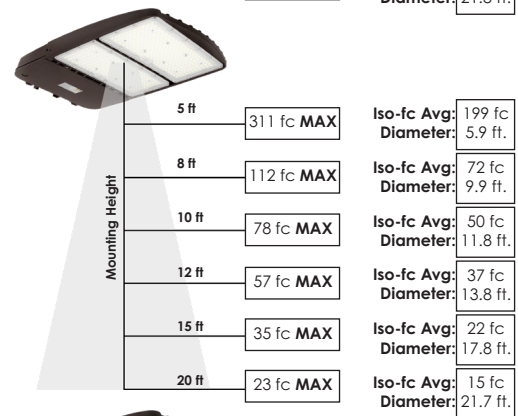
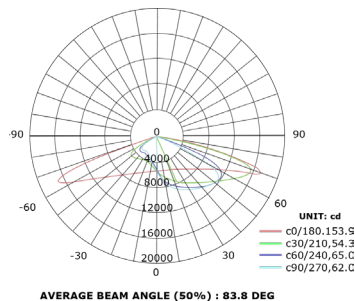
Model: E4SB150DC3-850  
 Test Report: E4SB150DC3-850.ies  
 CCT: 5000k  
 Lamp Type: LED  
 Lumens: 21000 LM  
 Input Watts: 150 W  
 Efficacy: 140 LM/W  
 IESNA: Type III-M  
 BUG Rating: B3-U2-G3

**Lumen Intensity Graph:**  
E4SB150DC3-850



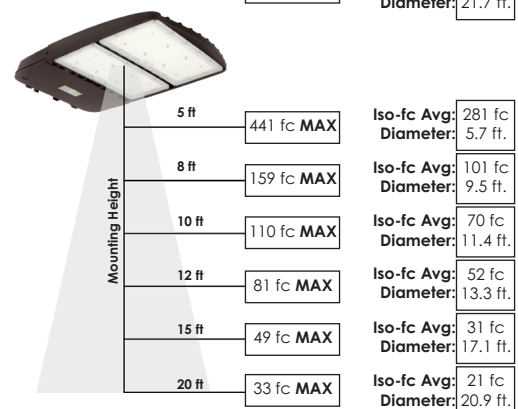
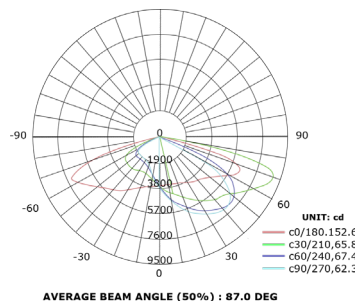
Model: E4SB240DC3-850  
 Test Report: E4SB240DC3-850.ies  
 CCT: 5000k  
 Lamp Type: LED  
 Lumens: 33600 LM  
 Input Watts: 240 W  
 Efficacy: 140 LM/W  
 IESNA: Type III-M  
 BUG Rating: B3-U2-G4

**Lumen Intensity Graph:**  
E4SB240DC3-850



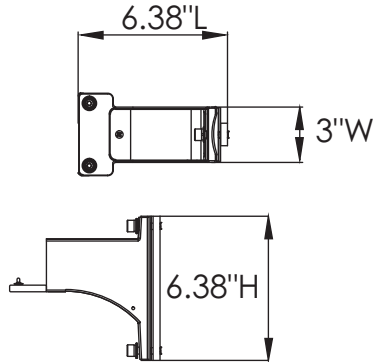
Model: E4SB300DC3-850  
 Test Report: E4SB300DC3-850.ies  
 CCT: 5000k  
 Lamp Type: LED  
 Lumens: 42000 LM  
 Input Watts: 300 W  
 Efficacy: 140 LM/W  
 IESNA: Type III-M  
 BUG Rating: B3-U2-G4

**Lumen Intensity Graph:**  
E4SB300DC3-850

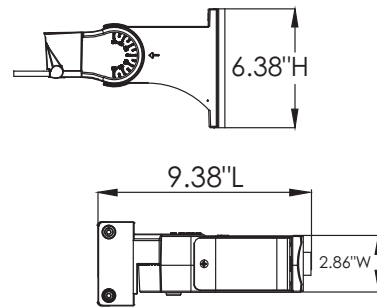


**(Refer to website for IES files on 3000k and 4000k)**

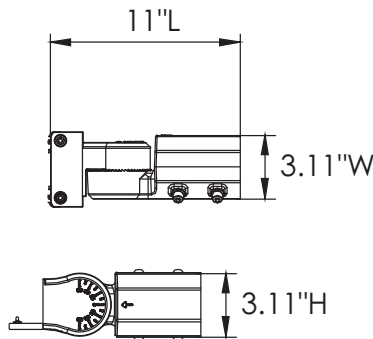
**Mounting Dimensions**



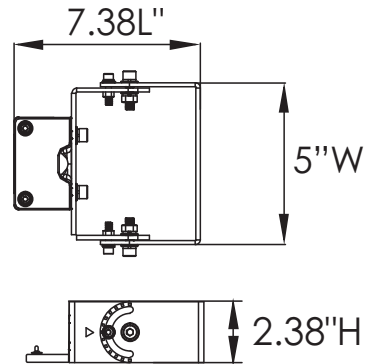
**FX-A Fixed arm for pole**



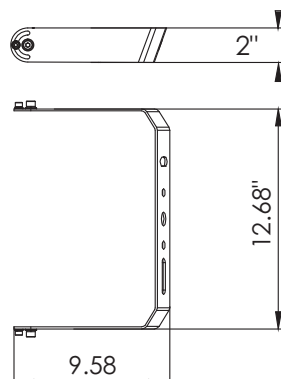
**SA-A Adjustable arm for pole**



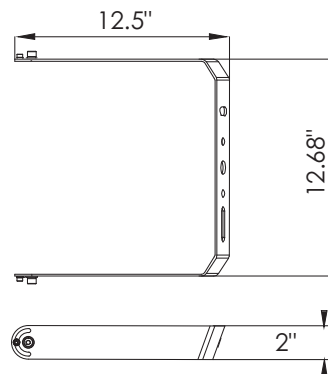
**SF-A Slip Fitter for pole**



**TR-A Trunnion ( Swivel)**



**Yo-A | Yoke-A 100W,**

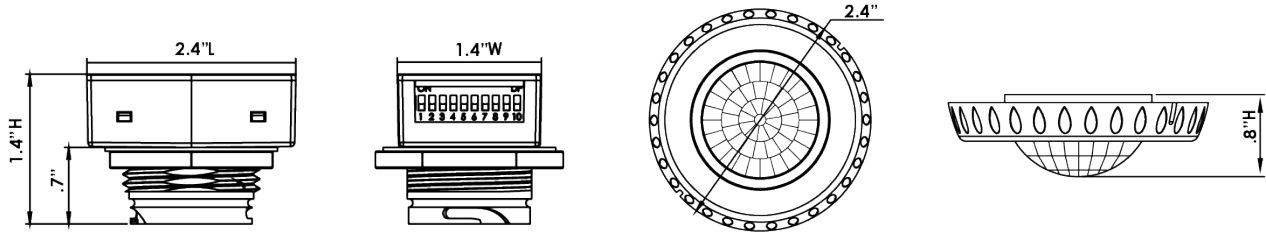


**Yo-B | Yoke-B 240W, 300W**

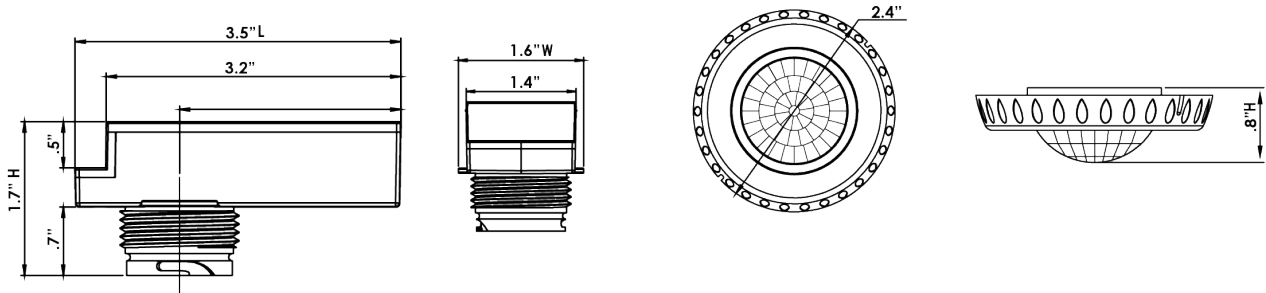


**Mounting Dimensions**

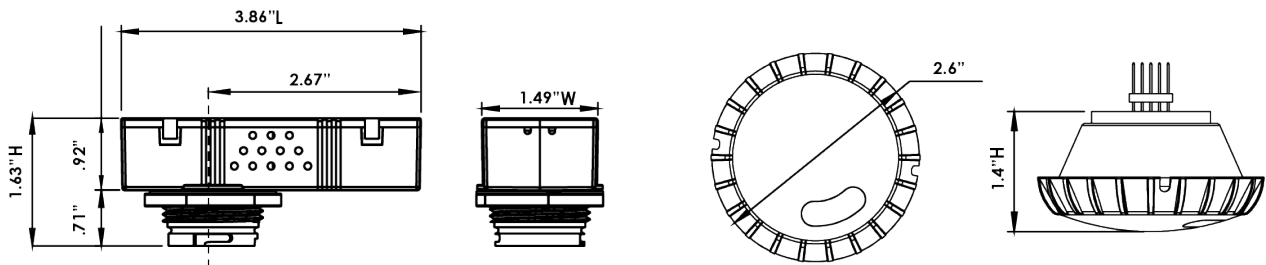
**12-24V PIR Sensor E3MS-IRL-INT-W (Not for 277-480)**



**PIR Sensor 100-277V E3MS-IR-INT-W (Not for 277-480)**



**Microwave Motion Sensor (100-277V) MTO-E3MS-MW-INT-W (Not for 277-480)**



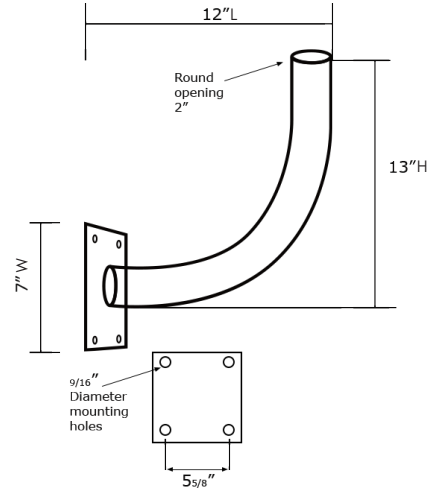


**Wall Mounts**

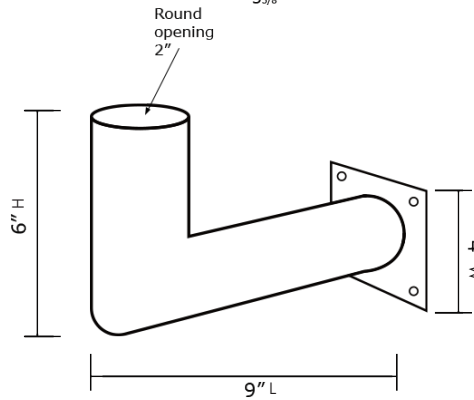
**E1MNT-TNRV1 | E1MNT-TNRVC1 | E1MNT-TNH1**



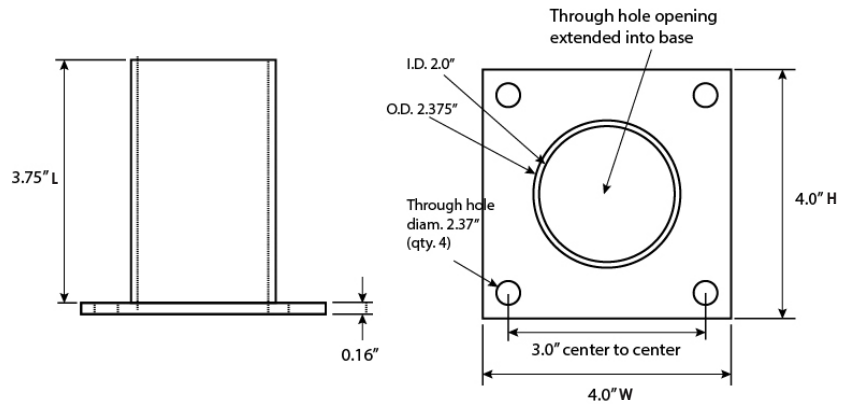
E1MNT-TNRV1



E1MNT-TNRVC1



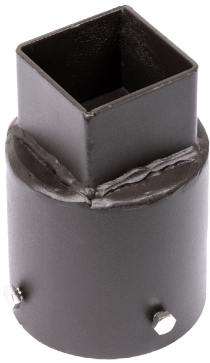
E1MNT-TNH1





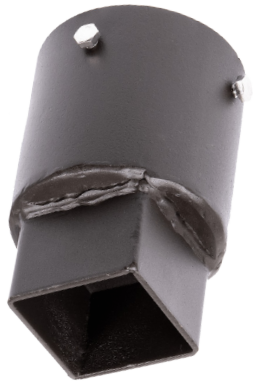
**Converters**

**E1MNT-TRAN4 | E1MNT-TNH2**

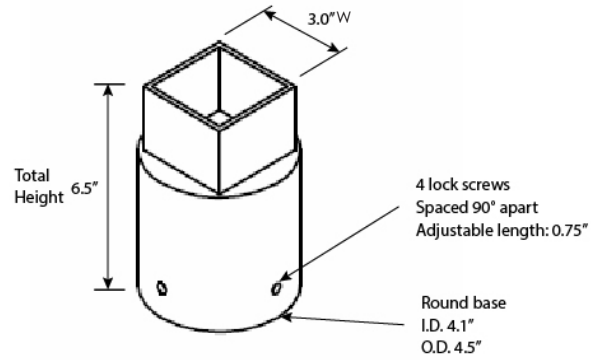


Converter for  
Square to round pole

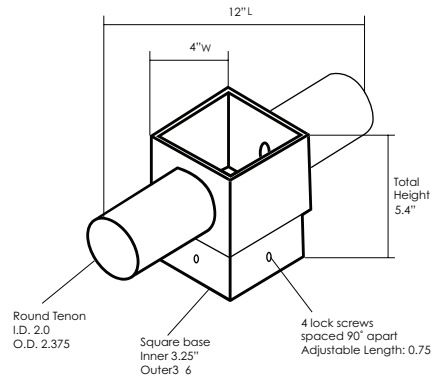
E1MNT-TRAN4



Converter for  
Round to square pole



E1MNT-TNH2

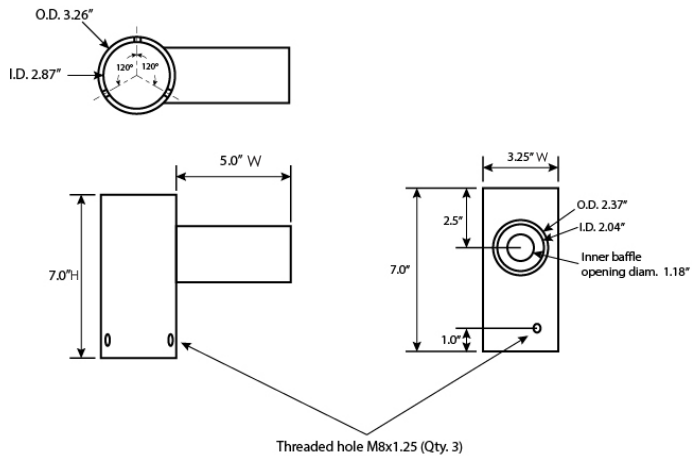


**Pole Mounts**

**E1ST-TN1 | E1ST-TN2 | E1ST-TN3 | E1ST-TN3A | E1ST-TN4**

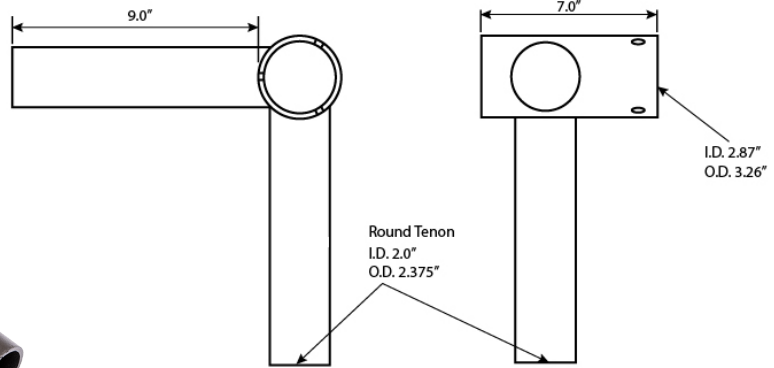


E1ST-TN1

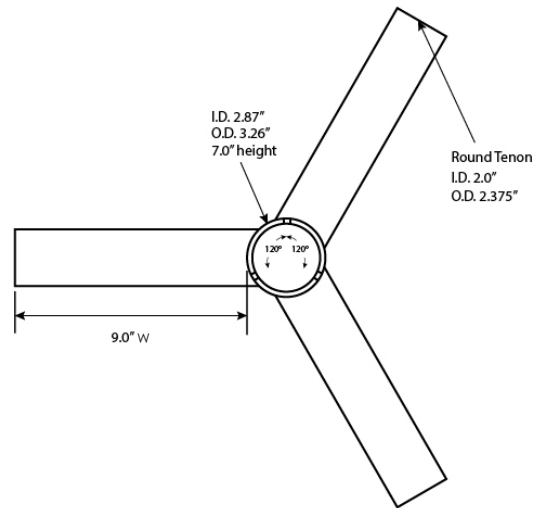




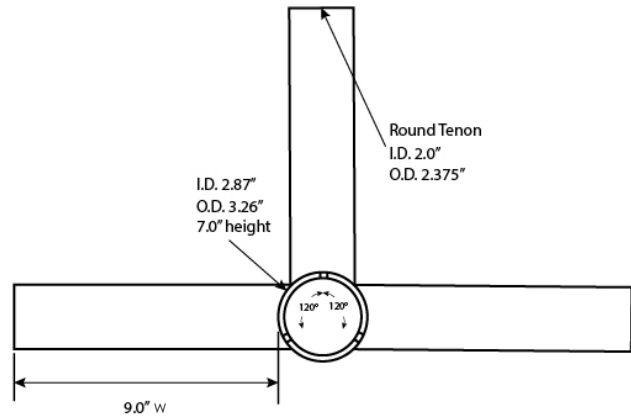
E1ST-TN2



E1ST-TN3



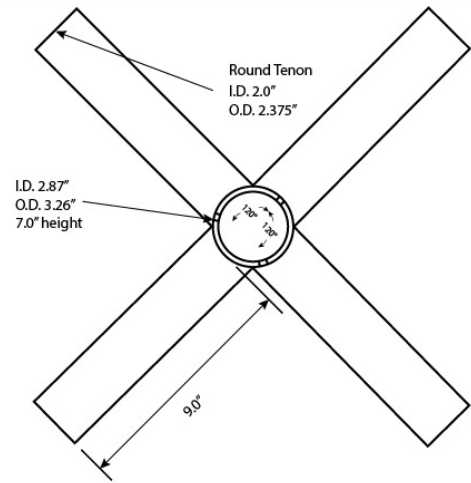
E1ST-TN3A





Top cap cover provided

E1ST-TN4

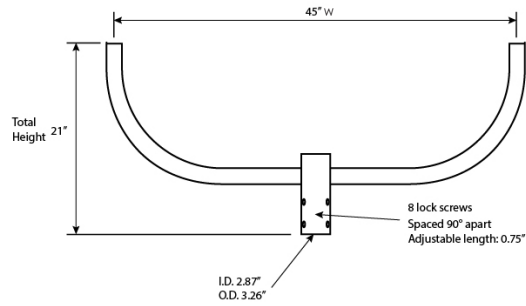


**Bull Horns**

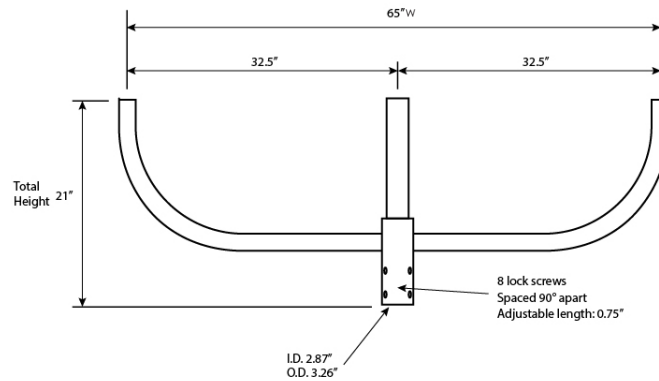
**E1MNT-BH2 | E1MNT-BH3**



E1MNT-BH2



E1MNT-BH3





**ENERGETIC**  
L I G H T I N G

**E4SB**

LED Area Light  
50,000 System Lifetime • 10 Year Limited Warranty

**NOTES:**



**ENERGETIC**  
L I G H T I N G

**E4SB**

LED Area Light  
50,000 System Lifetime • 10 Year Limited Warranty

**NOTES:**