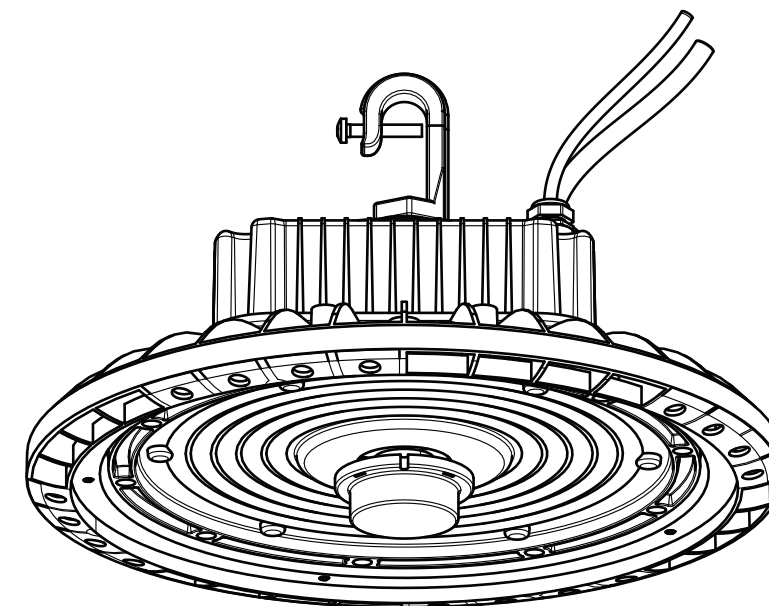




LED Compact Highbay Fixture

Installation Instructions

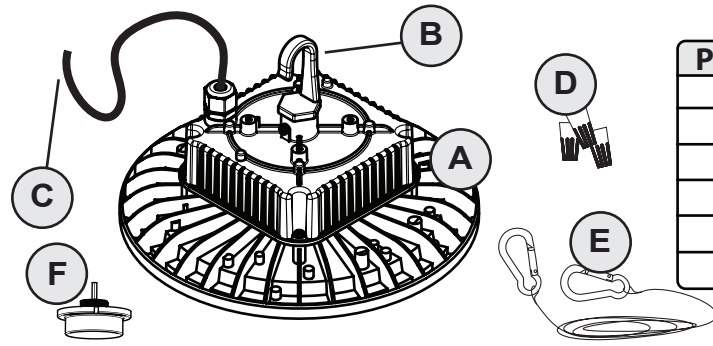


ATTACH YOUR RECEIPT HERE

Item Number _____ Purchase Date _____

Questions, problems, missing parts? Before returning to your retailer, call our customer service department at 1-866-492-6566.

PACKAGE CONTENTS



Part	Item Name	Qty.
A	Fixture	1
B	Mounting hook (pre-installed)	1
C	Input power connection cord	1
D	Wire nuts	3
E	Safety Cable	1
F	Motion Sensor (Optional Purchase)	1

SAFETY INFORMATION

Please read and understand this entire manual before attempting to assemble, operate or install the product. Failure to do so could lead to electric shock, fire or other injuries that could be hazardous or even fatal.

- Be sure the electricity to the wires you are working on is shut off. Either remove the fuse or turn off the circuit breaker.
- Changes or modifications not expressly approved by the party responsible for compliance could void the user's authority to operate the equipment.
- This product must be installed in accordance with local, state and national electrical codes.
- Installation work shall be completed by a licensed installer that is familiar with the construction and operations of the product.

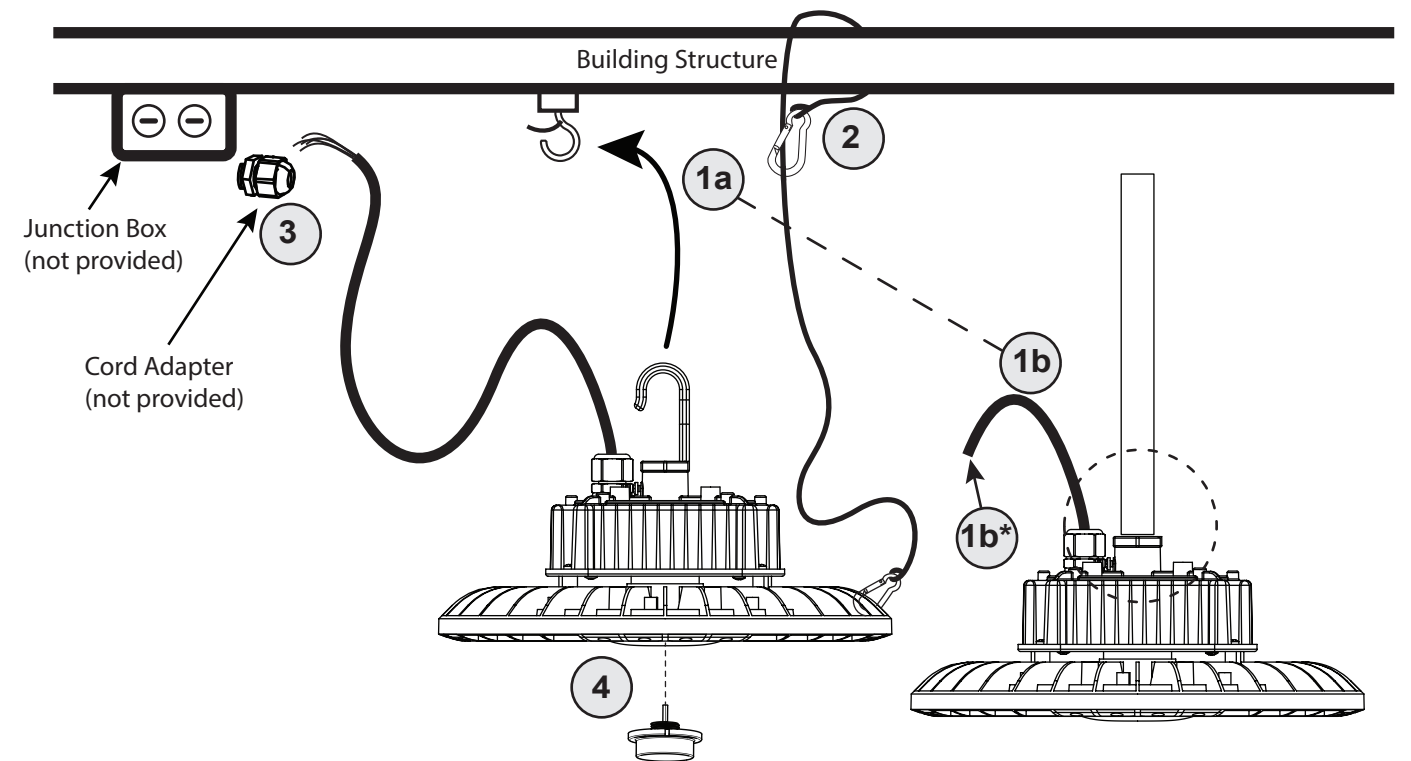
CAUTION:

- This product can only be dimmed with standard 0-10v low voltage dimming systems.

NOTICE

- This device complies with Part 15 of the FCC Rules. Operation is subject to the following two conditions: (1) This device may not cause harmful interference, and (2) this device must accept any interference received, including interference that may cause undesired operation.
- This equipment has been tested and found to comply with the limits for a Class B digital device, pursuant to part 15 of the FCC Rules. These limits are designed to provide reasonable protection against harmful interference in a residential installation. This equipment generates, uses and can radiate radio frequency energy and, if not installed and used in accordance with the instructions, may cause harmful interference to radio or television reception, which can be determined by turning the equipment off and on. The user is encouraged to try to correct the interference by one or more of the following measures:
 - Reorient or relocate the receiving antenna.
 - Increase the separation between the equipment and the receiver.
 - Connect the equipment into an outlet on a circuit different from that to which the receiver is connected.
 - Consult the dealer or an experienced radio/TV technician for help.
- This Class B digital apparatus complies with Canadian ICES-003.

INSTALLATION INSTRUCTIONS



- 1a Hook/Chain mount:** Use the hook to mount directly to the building, or use a chain to drop-mount the fixture.
 - 1b Pendant Mount:** Twist out the pre-installed hook to access the 1/2" NPS threads and install pendant tubing directly or use an adapter. Note that threaded port does not gain access to wiring compartment, so supply cord will still be used to connect to power source.
 - 1b* NOTE:** Pendant mount method still requires power to be provided by the supply cord external to the pendant tube, pendant attachment point does NOT provide access into wiring compartment.
- 2** Attach one end of the safety cable hook to fixture body and loop the safety cable around a structural member of the building providing as a secondary support for the mounted fixture.
- 3** Route the input cord into building junction box using appropriate adapters as required (not provided). Connect input wires as indicated in the following wiring diagram.
- 4** The optional motion sensor is a twist and lock sensor that is quick and easy to secure. (Two optional motion sensors are available for this product the same is both.)

INSTALLATION INSTRUCTIONS

3. Remote control options for bluetooth and remote programming are available for E3HBD models with motion sensor capabilities. as seen below are the operation controls in details.

Remote Controller Operation

Brightness: Sets the upper light level % during normal operation (occupancy), this is only set lower if lights are too bright, or to save even more power during normal operation.

Sensitivity: Sets the sensitivity of the motion sensor to vary the detection trigger. Reduce sensitivity value to reduce false triggers and filter out negligible motion.

Hold-time: Sets the time fixture is to remain in Occupancy-detected state (Lights on) after no motion has been detected.

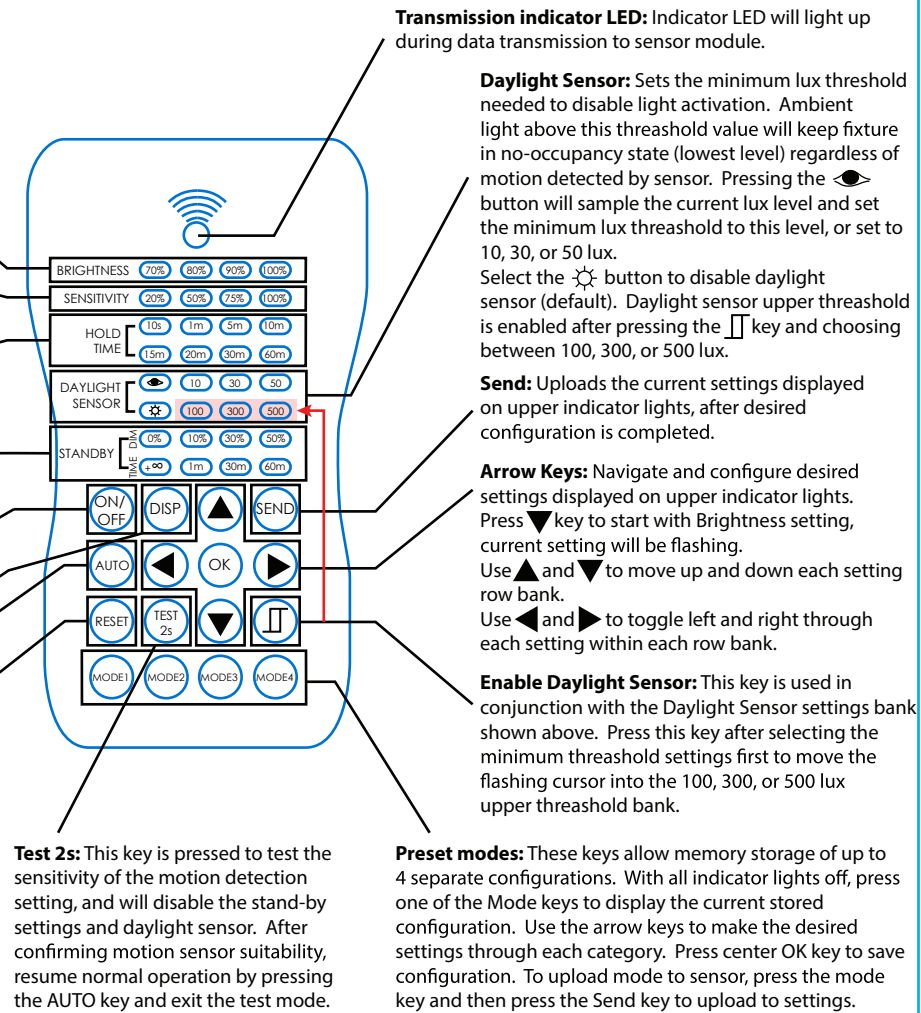
Stand-by period: (Tri-level configuration)
DIM: Sets the dimmed light % when no motion is detected, Select 0% for Bi-level configuration
TIME: Sets the time duration to keep fixture in a dimmed Stand-by state after the no-motion hold time has expired.

ON/OFF: Manual override fixture to either full on, or full off without sensor.

Display: Displays setting indicator lights and ready to configure using direction arrow keys.

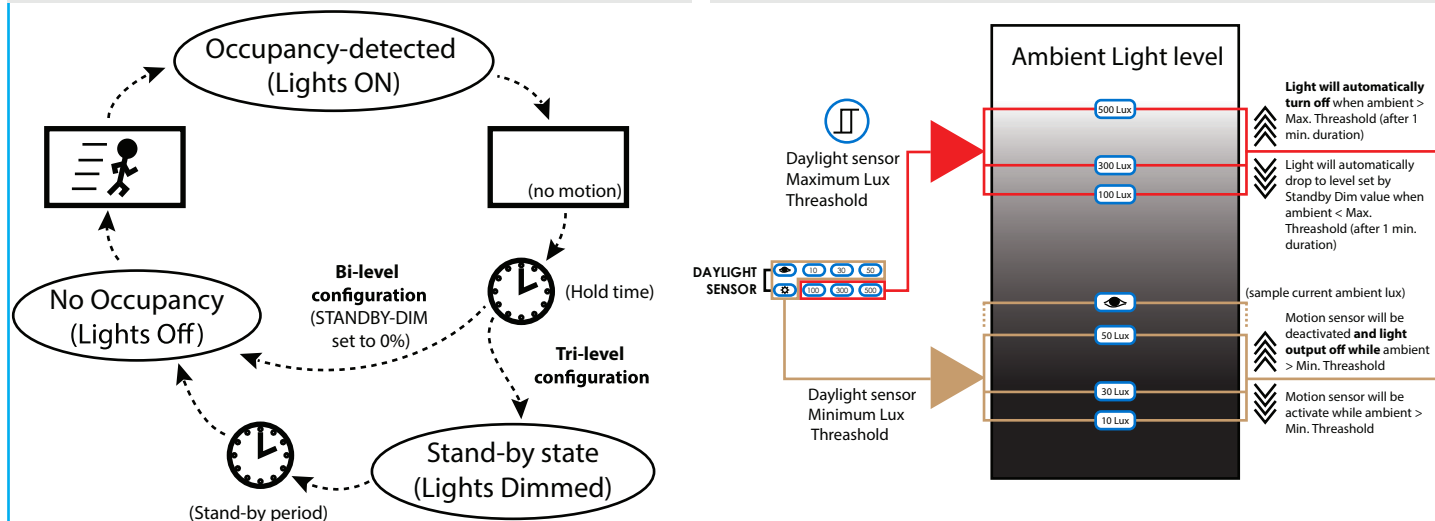
Auto Mode: Enables sensor control of fixture.

Reset: Restores factory default settings where motion sensor and daylight sensors are disabled.



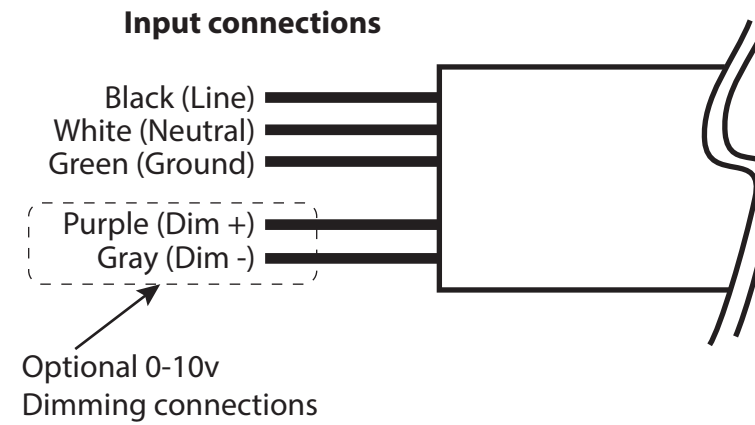
Operation mode states

Daylight / Ambient Light configuration



www.energeticlighting.com

WIRING DIAGRAM



CARE AND MAINTENANCE

Clean with a mild, non-abrasive glass cleaner and soft cloth. Do NOT use solvents or cleaners containing abrasive agents. When cleaning the fixture, make sure the power is turned off, and any liquid spray should be applied to the cleaning cloth and not sprayed directly onto the fixture itself.

TROUBLESHOOTING

Problem	Possible Solution	Corrective Action
Fixture does not light.	1. Power is off. 2. Incorrect wire connection. 3. Defective wall switch.	1. Check circuit breaker or wall switch. 2. Check wire splices. 3. Replace switch.
Circuit breaker trips when light is turned on.	Crossed wires or power wire is grounded out.	Verify wires are correctly connected.

WARRANTY

This fixture is warranted to perform free from defects for five years. If it fails to do so, you may return it with proof of purchase to 13445 12th St., Chino, CA 91710 for replacement.

Printed in China

www.energeticlighting.com