

Project:	Catalog#:	Type:
Prepared By:	Notes:	Date:

## E3HBC

LED High Bay Fixture CCT-select & Wattage Select • 2 Size Options • 10 Year Limited Warranty



## Overview

Energetic Lighting E3HBC Round LED High Bay fixtures, also called UFO LED high bays, are ideal for replacing or retrofitting legacy HID high bay lights, offering high performance and long life. Typical applications include commercial and manufacturing facilities, gymnasiums, warehouse lighting fixtures, and retail aisles. Our Round High Bays are also available in dedicated versions of 100W, 150W, 200W, and 240W, with color temperatures of either 3500K, 4000K or 5000K. Accessories include UFO LED microwave sensors, which are easy to install and with optional plug-n-play sensor. Energetic lighting also offers high temperature-rated UFO LED high bay fixtures featuring an ambient operating temperature of 50°C/122°F. These are ideal for applications such as warehouses and manufacturing facilities in southern climates, and industrial buildings that have demanding temperature requirements.

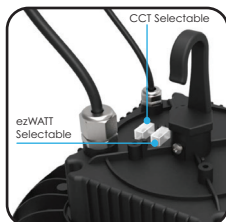
## Features

- ezCCT Selectable 3500K, 4000K, and 5000K and ezWATT Selectable
- 0-10V Dimmable to 10% using 0-10V
- Minimum LED Lifetime L70 Rating 70% lumen @50,000 hours -L70/50,000
- Light Efficient polymer diffusing lens for even illumination
- **6 Foot power cord** for extra length from ceiling provided.
- Emergency Battery Backup system & motion sensor option available.
- Motion sensor and Remote configuration options (Sold Separately)
- Unique integrated thermal heat sink added for maximum dissipation.

## Applications

- Commercial and Retail
- Warehouses
- General Indoor Area

## Highlights



Easy CCT and Wattage Selectable options for desired color temp or wattages. (Model Dependent)



Easy field installable 1/8" jack sensors for both microwave and bluetooth sensor and controls



E3HBC has many optional accessories such as the angle adjustable surface mount U-bracket, reflectors, Wire guards, and more



1/2" Female threading, interchangeable hook mount with supplementary safety cable. (Included) can be replaced with all thread for pendant mount (1/2" Standard Thread Rod)



Provided with 6-foot input cord, 5 circuit leads for power and dimming.

## Accessories



**E1MS-SMW-LVP**  
12V Microwave motion Plug-in



**E1MS-SMW-RC**  
Occupancy Sensor configuration remote



**EL-UFOEM**  
Emergency Battery Backup



**E2HBA-R**  
Prismatic Reflector for high bay



**E1HBACC-ALREF**  
Aluminum Reflector/Diffuser



**E3HBC-LENS**  
Drop Lens



**E3HBC-WG-A**  
Wire Guard Small  
\*Clamps required\*



**E3HBC-WG-B**  
Wire Guard Large  
\*Clamps required\*



**E3HBC-TRING**  
Transition Ring  
(Required when ordering any reflector for [large housing] **confirmed necessary for small housing**)



**E3HBC-MNT-UB**  
Angle Adjustable U-Bracket

## Load Information

<b>Input Voltage</b>	120-277 Vac	
<b>Power Factor</b>	>0.9	
<b>THD</b>	<23%	
<b>Low Temp Start</b>	-20°C (-4°F)	
<b>Max Temp</b>	50°C (122°F)	
<b>Unit Weight</b>	100W	7.8 lbs
	150W	8.5 lbs
	200W	9.7 lbs
	240W	10.4 lbs

## Shipping Information

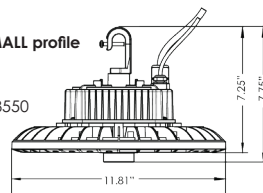
Item	Weight	Box Qty.
<b>Small Profile</b> 100W/150W	TBA lbs	TBA per case
<b>Large Profile</b> 200W/240W	TBA lbs	TBA per case

## Lumen Maintenance

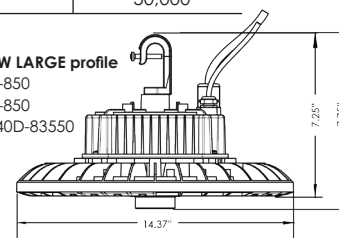
Housing Type	Ambient Temperature	TM-21 Lumen Maintenance (50,000 hours)	Theoretical L70 (hours)
100W/150W	30°C	>89%	50,000
200W/240W	30°C	>89%	50,000

## Dimensions

**100W & 150W SMALL profile**  
E3HBC100D-850  
E3HBC150D-850  
E3HBC90150D-83550



**200W & 240W LARGE profile**  
E3HBC200D-850  
E3HBC240D-850  
E3HBC180240D-83550



## Model Ordering Number

Series Prefix	Wattage	Dimming	CRI	CCT
<b>E3HBC</b>	<b>100</b>	<b>D</b>	<b>8</b>	<b>3550</b>
<b>E3HBC</b> Energetic LED High Bay Fixture ezCCT&ezWATT Selectable	<b>100</b> 100W <b>150</b> 150W <b>200</b> 200W <b>240</b> 240W <b>90150</b> 90, 120, or 150W <b>180240</b> 180, 200, or 240W	<b>D</b> 0-10V Dimmable (default)	<b>8</b> 80 CRI	<b>3550</b> <b>50</b> 3500K, 4000K, or 5000K 5000K

**Ordering Examples:**

1. For E3HBC 100W Selectable CCT 100-277V	<b>Model#: E3HBC100D-850</b>
2. For E3HBC 180, 220, 240W ezWATT Selectable CCT 3500K,4000K,5000K 100-277V + 12V Motion Sensor + Aluminum refractor + Wire Guard	<b>Model#: E3HBC180240D-3550</b>
12V Motion Sensor	<b>E1MS-SMW-LVP</b>
Aluminum refractor	<b>E1HBACC-ALREF</b>
Wire Guard	<b>E3HBC-WG-B</b>

## STOCK ORDER INFORMATION

### ezCCT & ezWATT Selectable Small Housing 120-277V, 347V

Model Number	Order #	Wattage	LPW	Color Temp	Lumens	CRI	Voltage	Dimming	DLC	Pallet Qty
E3HBC100D-850	81125	100W	135	5000K	13500LM	80	120-277V	0-10V	DLC 5.1 P	TBA
E3HBC150D-850	81126	150W	135	5000K	20250LM	80	120-277V	0-10V	DCL 5.1 P	TBA
E3HBC90150D-83550	81129	90W	160	3500K	14402LM	80	120-277V, 347V	0-10V	DCL 5.1 P	TBA
			167	4000K	15045LM					
			164	5000K	14812LM					
		120W	157	3500K	18885LM					
			167	4000K	20084LM					
			164	5000K	19632LM					
		150W	148	3500K	22072LM					
			158	4000K	23770LM					
			146	5000K	21895LM					

### ezCCT & ezWATT Selectable Large Housing 120-277V

Model Number	Order #	Wattage	LPW	Color Temp	Lumens	CRI	Voltage	Dimming	DLC	Pallet Qty
E3HBC200D-850	81127	200W	135	5000K	27000LM	80	120-277V	0-10V	DLC 5.1 P	TBA
E3HBC240D-850	81128	240W	135	5000K	32400LM	80	120-277V	0-10V	DLC 5.1 P	TBA
E3HBC180240D-83550	81130	180W	162	3500K	29191LM	80	120-277V, 347V	0-10V	DLC 5.1 P	TBA
			172	4000K	31041LM					
			165	5000K	29786LM					
		200W	155	3500K	30938LM					
			167	4000K	33488LM					
			160	5000K	32139LM					
		240W	146	3500K	35197LM					
			159	4000K	38197LM					
			149	5000K	35839LM					

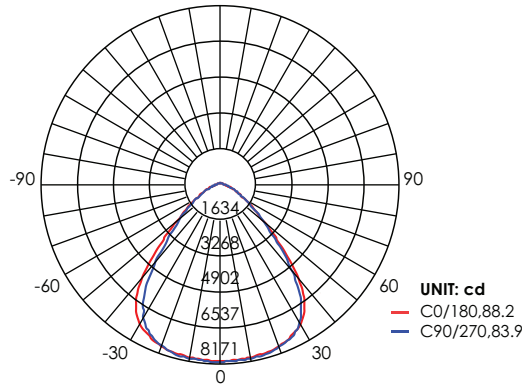
## Optional Accessories

Model Number	Order #	Description
E1MS-SMW-LVP	98027	12V Microwave Motion Sensor Plug-in
E2HBA-R	99038	Prismatic Reflector for E2HBA & E3HBC
E1HBACC-ALREF	80079	Aluminum Refractor
E3HBC-LENS	80131	Drop Lens
E1MS-SMW-RC	98051	Sensor Remote Programming Control
E3HBC-MNT-UB	80135	Angle Adjustable U-Bracket for Surface Mounting feild installable
E3HBC-WG-A	80132	Wire Guard Small
E3HBC-WG-B	80133	Wire Guard Large
E3HBC-TRING	80134	Transfer Reflector Ring adapter (for small size)
EL-UFOEM	00000	Emergency Battery Backup
E1MS-SMW-RC	00000	Occupancy sensor configuration remote

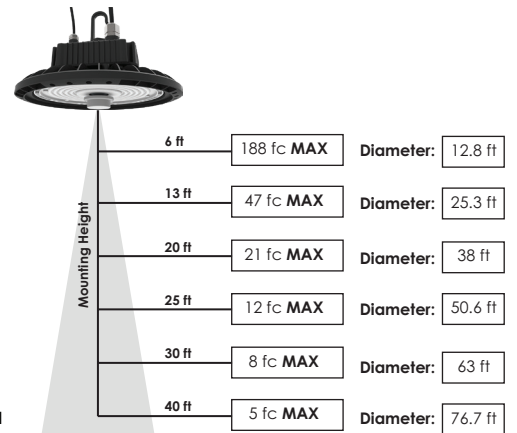
**PHOTOMETRIC DATA**

Model: E3HBC100D-850  
 Test Report: E3HBC100D-850.ies  
 CCT: 5000K  
 Lamp Type: LED  
 Lumens: 14928.6 LM @120V  
 15750 LM @277V  
 Input Watts: 100 W  
 Efficacy: 135 LM/W

**Lumen Intensity Graph:**  
E3HBC100D-850

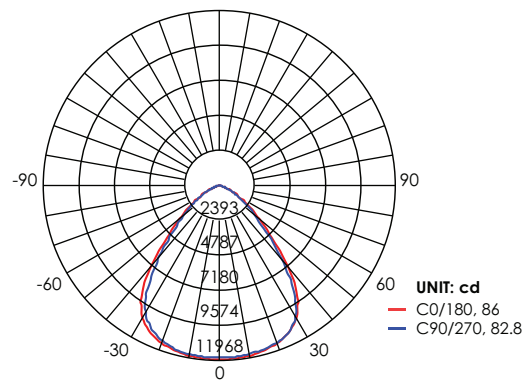


AVERAGE BEAM ANGLE (50%) : 84.45 DEG

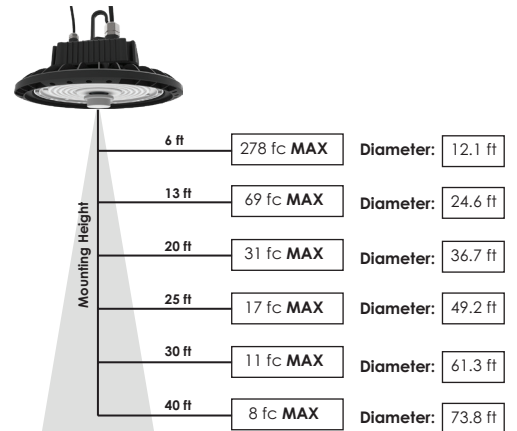


Model: E3HBC150D-850  
 Test Report: E3HBC150D-850.ies  
 CCT: 5000K  
 Lamp Type: LED  
 Lumens: 23740 LM @120V  
 22149 LM @277V  
 Input Watts: 150 W  
 Efficacy: 135 LM/W

**Lumen Intensity Graph:**  
E3HBC150D-850

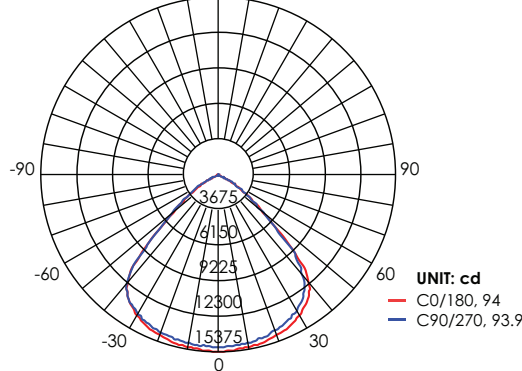


AVERAGE BEAM ANGLE (50%) : 86.06 DEG

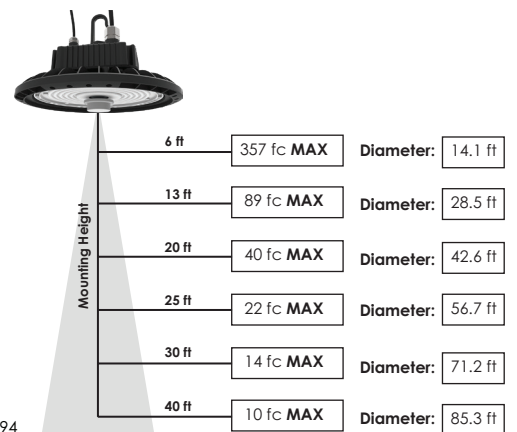


Model: E3HBC200D-850  
 Test Report: E3HBC200D-850.ies  
 CCT: 5000K  
 Lamp Type: LED  
 Lumens: 32992 LM@120V  
 32480 LM@277V  
 Input Watts: 200 W  
 Efficacy: 135 LM/W

**Lumen Intensity Graph:**  
E3HBC200D-850



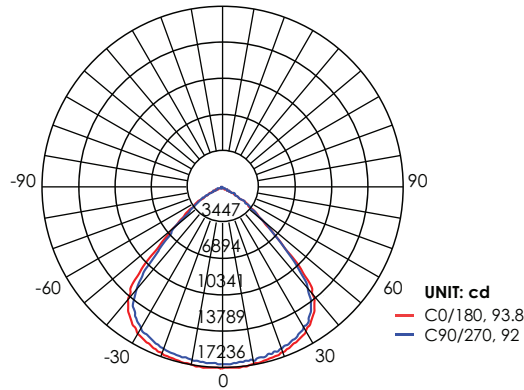
AVERAGE BEAM ANGLE (50%) : 94.04 DEG



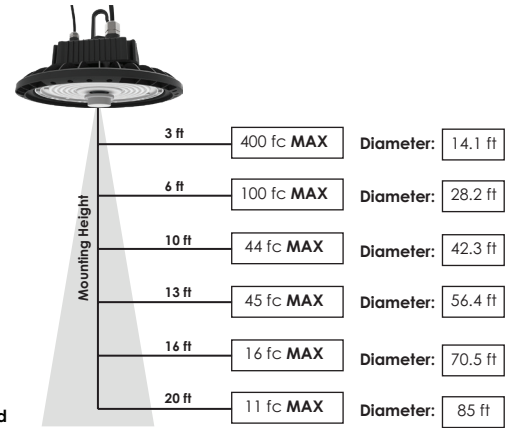
**PHOTOMETRIC DATA**

Model: E3HBC240D-850  
 Test Report: E3HBC240D-850.ies  
 CCT: 5000K  
 Lamp Type: LED  
 Lumens: 36310 LM @120V  
 34815 LM @277V  
 Input Watts: 240 W  
 Efficacy: 135 LM/W

**Lumen Intensity Graph:**  
E3HBC240D-850

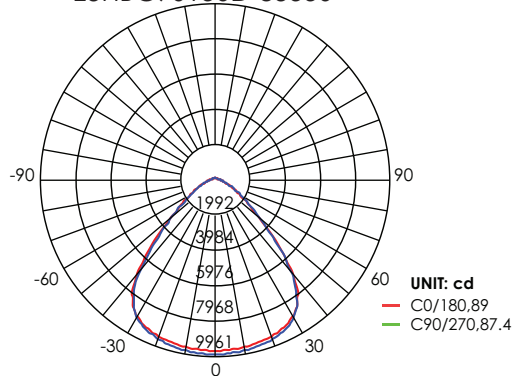


AVERAGE BEAM ANGLE (50%) : 93.7 DEG

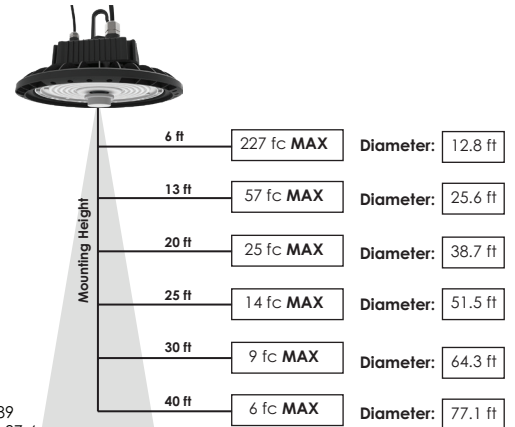


Model: E3HBC90150D-850  
 Test Report: E3HBC90150D-850.ies  
 CCT: 5000K  
 Lamp Type: LED  
 Lumens: 19600 LM  
 Input Watts: 120 W  
 Efficacy: 135 LM/W

**Lumen Intensity Graph:**  
E3HBC90150D-83550

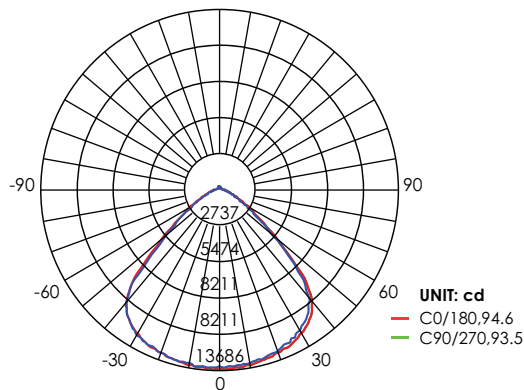


AVERAGE BEAM ANGLE (50%) : 87.7 DEG

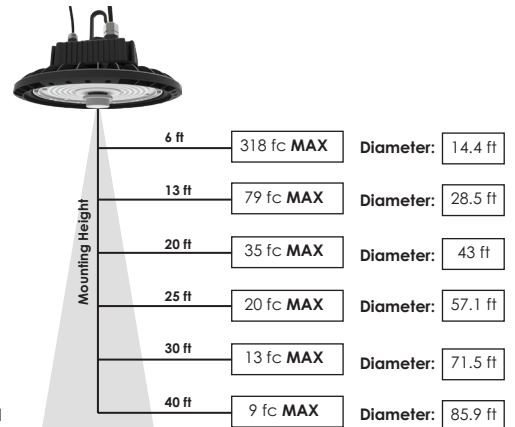


Model: E3HBC180240D-850  
 Test Report: E3HBC180240D-850.ies  
 CCT: 5000K  
 Lamp Type: LED  
 Lumens: 29700 LM  
 Input Watts: 180 W  
 Efficacy: 135 LM/W

**Lumen Intensity Graph:**  
E3HBC180240D-83550

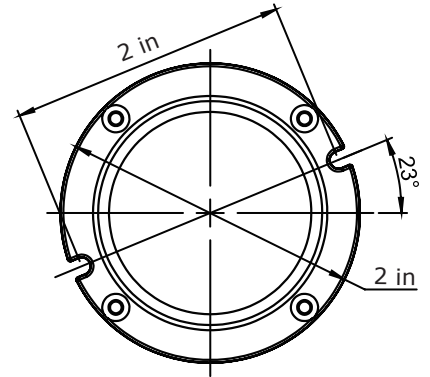
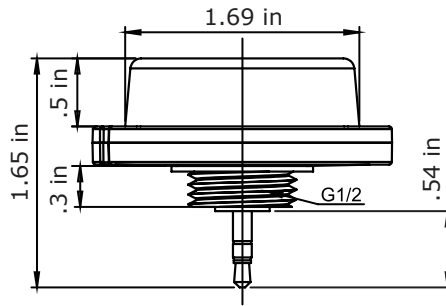


AVERAGE BEAM ANGLE (50%) : 94.64 DEG

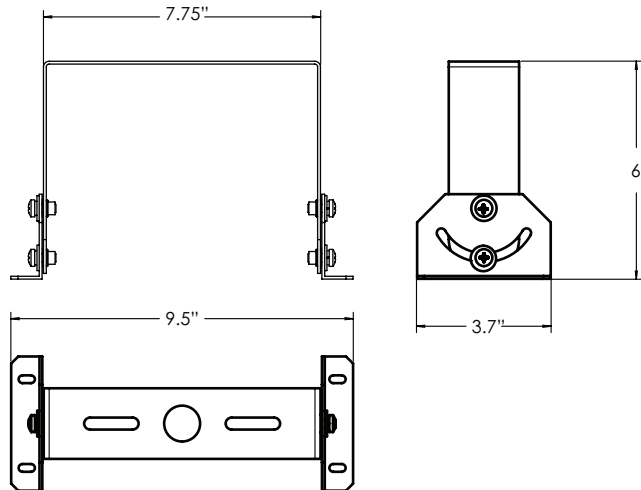


**Accessories Dimensions**

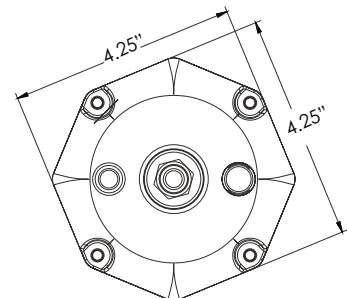
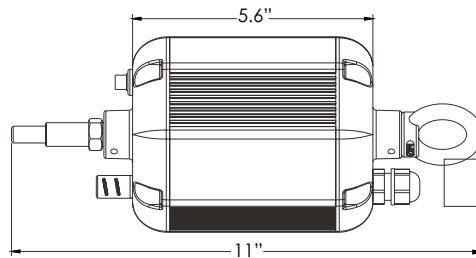
**12V Microwave Motion Sensor E3MS-SMW-LVP**



**E3HBC-MNT-UB Angle Adjustable U-Bracket for Surface Mounting**

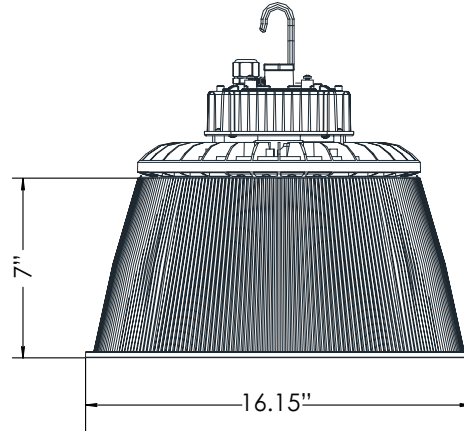


**EL-UFOEM Emergency Battery Backup**

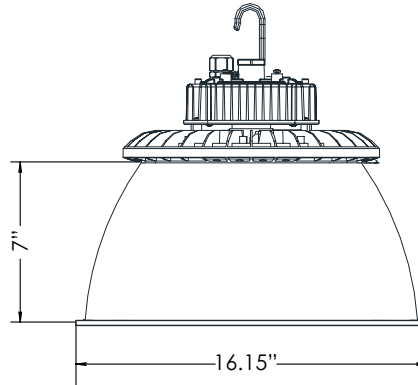


**ACCESSORY DIMENSIONS**

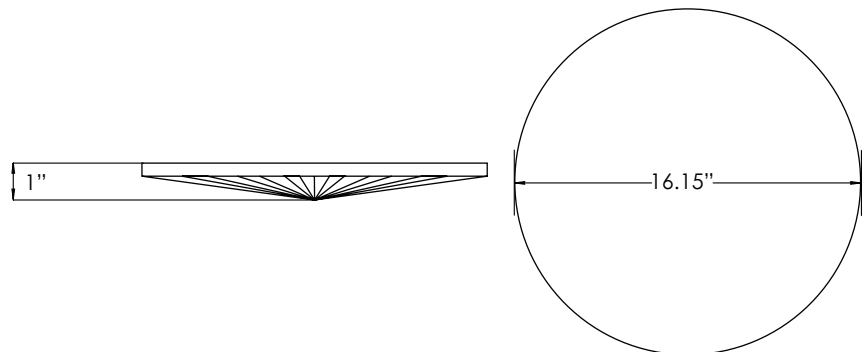
**E2HBA-R Prismatic Reflector**



**E1HBACC-ALREF Aluminum Refractor**

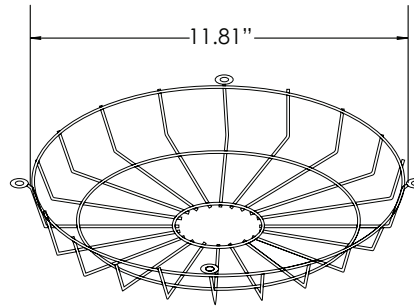
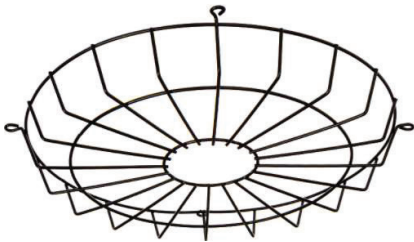


**E3HBC-LENS Drop Lens**



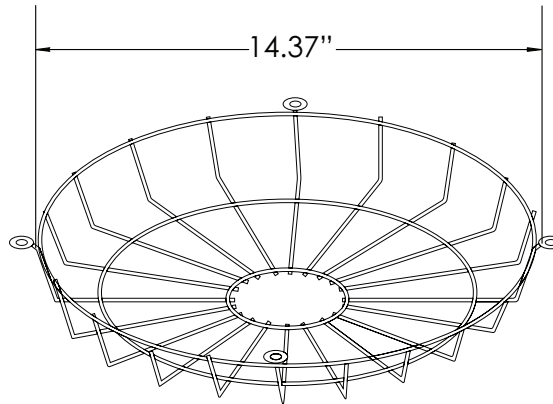
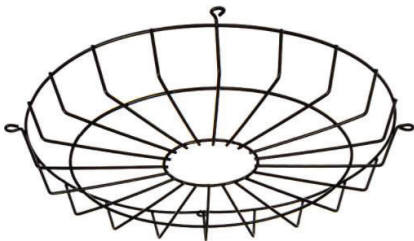
**ACCESSORY DIMENSIONS**

**E3HBC-WG-A Wire Guard Small housing | 100W and 150W**



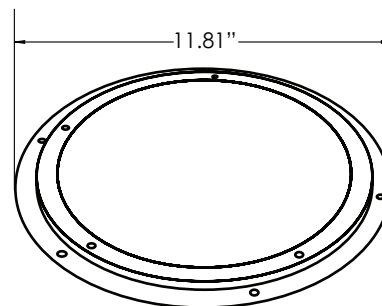
E3HBC100D-850  
E3HBC150D-850  
E3HBC90150D-83050

**E3HBC-WG-B Wire Guard Large housing | 200W and 240W**



E3HBC200D-850  
E3HBC240D-850  
E3HBC180240D-83050

**E3HBC-TRING Transition Ring (for small profile 100W and 150W)**



E3HBC100D-850  
E3HBC150D-850  
E3HBC90150D-83050



**ENERGETIC**  
L I G H T I N G

**E3HBC**

LED High Bay Fixture CCT-select & Wattage Select  
50,000 System Lifetime • 10 Year Limited Warranty

**NOTES:**