

Project:	Catalog#:	Type:
Prepared By:	Notes:	Date:

## E3FMB

LED Round Metal-trim Flushmount Fixture  
CCT-select & Wattage Select • 10 Year Limited Warranty



### Overview

Energetic Lighting's E3FMB series of LED round flushmount fixtures are designed to emulate the look and feel of traditional circline fluorescent tube flushmount fixtures, but operate at a significantly lower wattage. ezCCT and ezWatt features allow for field-selection of CCT (3000K, 4000K, or 5000K), and wattage (22W, 18W, or 15W), both accessible by removing the diffuser. Installation is quick and simple when mounting over standard ceiling junction boxes using the included crossbar and hardware, and further output control is available by installing on circuits with standard wall triac dimmers. With a CRI of >90, this fixture will bring out vibrant true-to-life colors of all objects illuminated within the room. Constructed with a durable steel housing body and LED lifetime rating of at least 50,000 hours, this rugged flushmount is designed for many years of reliable operation.

### Features

- Ez-CCT field -selectable CCT - 3000K(std), 4000K & 5000K @>90 CRI
- EZWATT field-selectable Wattage- 3 steps, varied by models (See stock ordering information)
- Suitable for wet locations installations
- Dimmable down to 10% with triac wall switch dimmers
- Minimum 85% lumen maintenance @ 50,000 hours -L70/54,000 ( per les TM21)

### Applications

- Residential and Multi-family
- Commercial and Retail
- Office and Hallway
- Healthcare and Hospitality
- General Indoor Area

### Highlights



Field-Selectable CCT and Wattage control provides flexibility to installation & stocking



Standard 3-piece housing with toolless thumb nut retrainers for easy access to inner compartment



Elegant brushed aluminum trim with large diffusion lens to provide an even light distribution



Wet location provided with foam gasket on both diffuser rim and back housing panel to prevent water ingress

### Load Information

<b>Input Voltage</b>	120Vac
<b>Power Factor</b>	>0.9
<b>THD</b>	<20%
<b>Low Temp Start</b>	-20°C (-4°F)
<b>Max Temp</b>	40°C (104°F)
<b>Unit Weight</b>	12" TBA
	14" 2 lbs
	16" TBA
	18" TBA

### Shipping Information

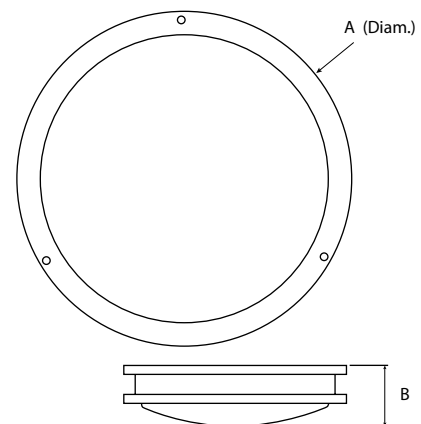
Item	Weight	Box Qty.
12"	tba	tba
14"	14 lbs	8 units per case
16"	tba	tba
18"	tba	tba

### Lumen Maintenance

Ambient Temperature	TM-21 Lumen Maintenance (50,000 hours)	Theoretical L70 (hours)
25°C	>85.51%	54,000

### Dimensions

Profile	Dimensions	
	A (diameter)	B
12"	12"	3.75"
14"	14"	3.75"
16"	16"	3.75"
18"	18"	3.75"



### Model Ordering Number

Series Prefix	Wattage	Dimming	Dimming	CRI	CCT
<b>E3FMB</b>	<b>12</b>	<b>T</b>	<b>W</b>	<b>9</b>	<b>3050</b>
<b>E3FMB</b> Energetic LED Round Flush Mount CCT-Selectable	<b>14</b> <b>1522</b> 15, 18, or 22W	<b>T</b> Triac Dimmable (default)	<b>W</b> Wet Location Certified	<b>9</b> 90 CRI	<b>3050</b> 3000K, 4000K, or 5000K

**Ordering Examples:**

1. For E3FMB 15, 18, 22W Selectable CCT 100-277V Model#: E43FMB1522T-93050

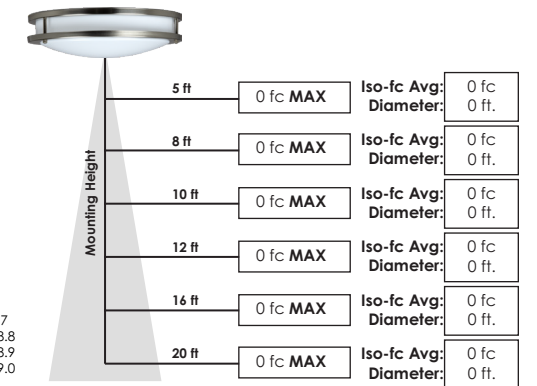
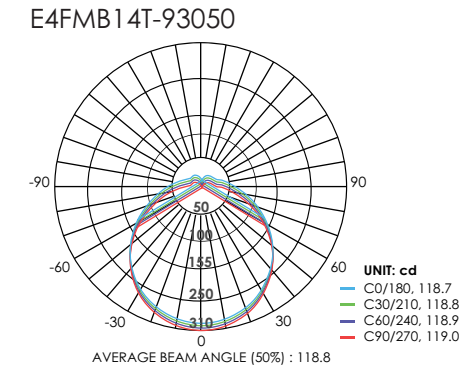
### STOCK ORDER INFORMATION

Profile	CCT Selectable	Profile	100-277V								
12" Profile	<b>CCT Selectable 12" Profile 100-277V</b>										
	<b>Model Number</b>	<b>Order #</b>	<b>Lumens</b>	<b>Wattage</b>	<b>LPW</b>	<b>Color Temp</b>	<b>CRI</b>	<b>Voltage</b>	<b>Dimming</b>	<b>DLC</b>	<b>Pallet Qty</b>
	E3FMB14T-93050	40049	980	14W	70	3000k,4000k, &5000k CCT	92	120V	Triac	ETL, JA8 Energy Star	TBD
14" Profile	<b>CCT Selectable 14" Profile 100-277V</b>										
	<b>Model Number</b>	<b>Order #</b>	<b>Lumens</b>	<b>Wattage</b>	<b>LPW</b>	<b>Color Temp</b>	<b>CRI</b>	<b>Voltage</b>	<b>Dimming</b>	<b>DLC</b>	<b>Pallet Qty</b>
	E3FMB1522T-93050	40050	1000,1260, 1540LM	15W, 18W, 22W Select	70	3000k,4000k, &5000k CCT	92	120V	Triac	ETL, JA8 Energy Star	84
	E3FMB1522TW-93050	40051	1000,1260, 1540LM	15W, 18W, 22W Select	70	3000k,4000k, &5000k CCT	92	120V	Triac	ETL, JA8 Energy Star	84
16" Profile	<b>CCT Selectable 16" Profile 100-277V</b>										
	<b>Model Number</b>	<b>Order #</b>	<b>Lumens</b>	<b>Wattage</b>	<b>LPW</b>	<b>Color Temp</b>	<b>CRI</b>	<b>Voltage</b>	<b>Dimming</b>	<b>DLC</b>	<b>Pallet Qty</b>
	E3FMB1824T-93050	40052	1260, 1470 1680LM	18W, 21W, 24W Select	70	3000k,4000k, &5000k CCT	90+	120V	Triac	ETL, JA8 Energy Star	TBD
18" Profile	<b>CCT Selectable 18" Profile 100-277V</b>										
	<b>Model Number</b>	<b>Order #</b>	<b>Lumens</b>	<b>Wattage</b>	<b>LPW</b>	<b>Color Temp</b>	<b>CRI</b>	<b>Voltage</b>	<b>Dimming</b>	<b>DLC</b>	<b>Pallet Qty</b>
	E3FMB2432T-93050	40053	1680,1960, 2240LM	24W, 28W, 32W Select	70	3000k,4000k, &5000k CCT	92	120V	Triac	ETL, JA8 Energy Star	TBD

### PHOTOMETRIC DATA

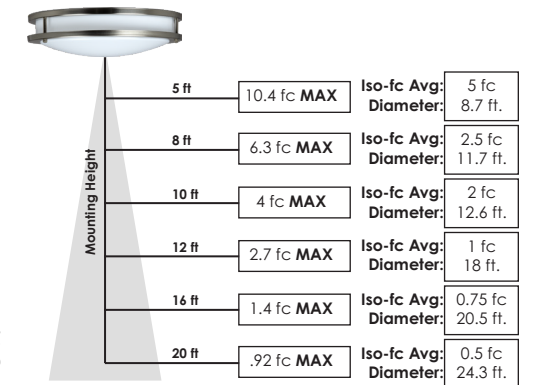
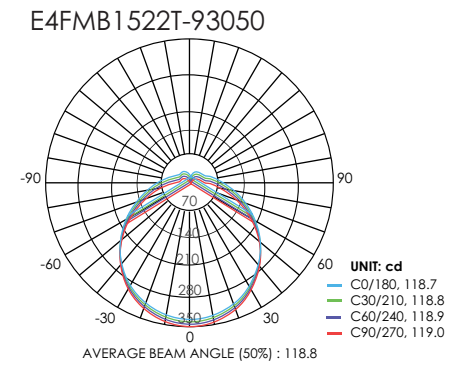
Model: E3FMB14T-93050  
Test Report: E3FMB14T-93050.ies  
CCT: 3000  
Lamp Type: LED  
Lumens: 1142 LM  
Input Watts: 14 W  
Efficacy: 81 LM/W

### Lumen Intensity Graph:



Model: E3FMB1522T-93050  
Test Report: E3FMB1522T-93050.ies  
CCT: 3000  
Lamp Type: LED  
Lumens: 1742 LM  
Input Watts: 21.5 W  
Efficacy: 81 LM/W

### Lumen Intensity Graph:





**ENERGETIC**<sup>®</sup>  
L I G H T I N G

## E3FMB

LED Round Flush Mount Fixture CCT-select  
50,000 System Lifetime • 10 Year Limited Warranty

### NOTES: