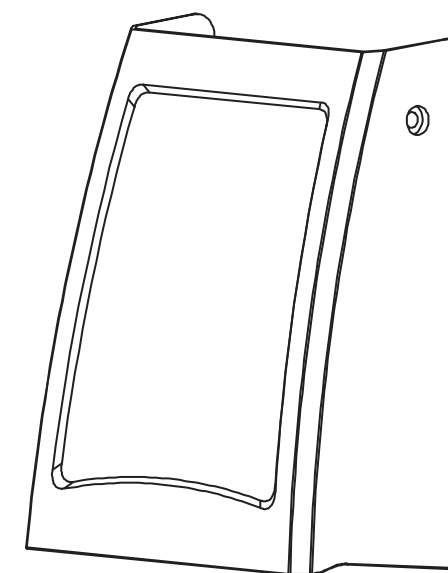




# Adjustable Slim Wall Pack Fixture

*Installation Instructions*

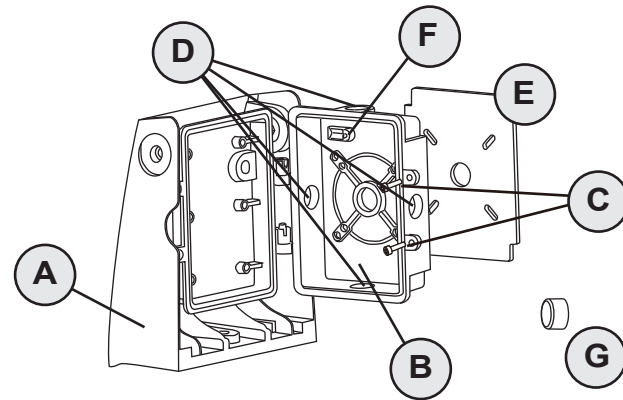


**ATTACH YOUR RECEIPT HERE**

Item Number \_\_\_\_\_ Purchase Date \_\_\_\_\_

Questions, problems, missing parts? Before returning to your retailer, call our customer service department at 1-866-492-6566.

## PACKAGE CONTENTS



Part	Item Name	Qty.
A	Front lens cover housing	1
B	Back fixture base	1
C	Housing screw	2
D	Conduit twist-out access port	4
E	Junction box gasket	1
F	Bubble level gauge	1
G	Photocell bypass cover	1

## SAFETY INFORMATION

Please read and understand this entire manual before attempting to assemble, operate or install the product. Failure to do so could lead to electric shock, fire or other injuries that could be hazardous or even fatal.

- Be sure the electricity to the wires you are working on is shut off. Either remove the fuse or turn off the circuit breaker.
- Changes or modifications not expressly approved by the party responsible for compliance could void the user's authority to operate the equipment.
- This product must be installed in accordance with local, state and national electrical codes.
- Installation work shall be completed by a licensed installer that is familiar with the construction and operations of the product.

### CAUTION:

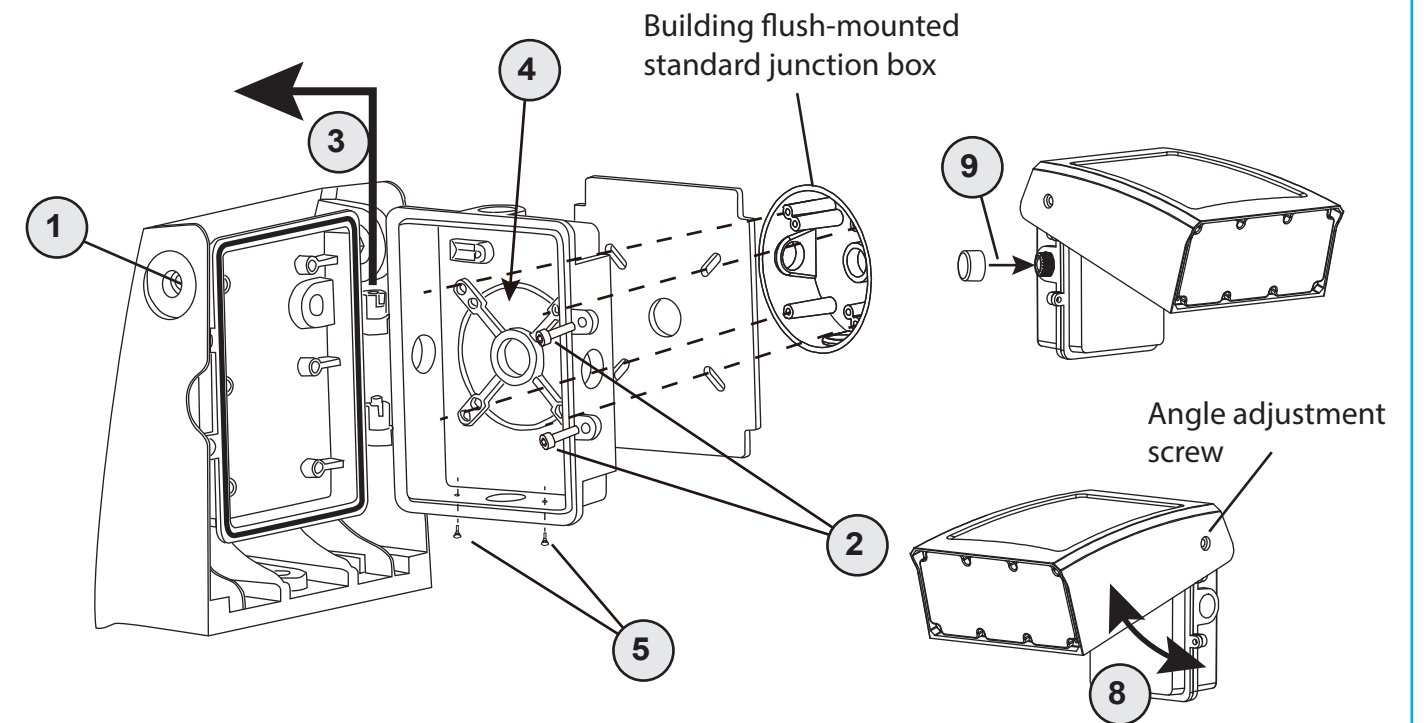
- This product can only be dimmed with standard 0-10v low voltage dimming systems.

### NOTICE

- This device complies with Part 15 of the FCC Rules. Operation is subject to the following two conditions: (1) This device may not cause harmful interference, and (2) this device must accept any interference received, including interference that may cause undesired operation.
- This equipment has been tested and found to comply with the limits for a Class B digital device, pursuant to part 15 of the FCC Rules. These limits are designed to provide reasonable protection against harmful interference in a residential installation. This equipment generates, uses and can radiate radio frequency energy and, if not installed and used in accordance with the instructions, may cause harmful interference to radio or television reception, which can be determined by turning the equipment off and on. The user is encouraged to try to correct the interference by one or more of the following measures:
  - Reorient or relocate the receiving antenna.
  - Increase the separation between the equipment and the receiver.
  - Connect the equipment into an outlet on a circuit different from that to which the receiver is connected.
  - Consult the dealer or an experienced radio/TV technician for help.
- This Class B digital apparatus complies with Canadian ICES-003.

www.energeticlighting.com

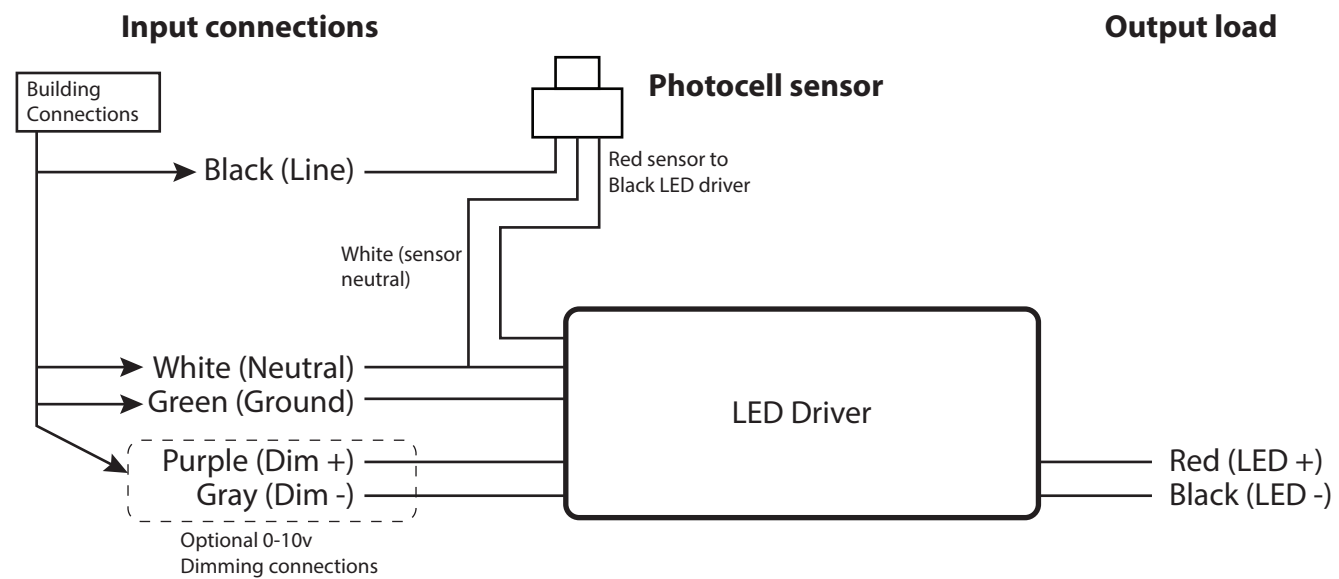
## INSTALLATION INSTRUCTIONS



- 1 Loosen the front housing angle adjustment screw (M6 screw), the front housing can now be lifted up to reveal the housing screws in step 2 below.
- 2 Remove the two (2) housing screws, set aside, and open up the housing.
- 3 Lift front housing up and then off the back housing and set aside.
- 4 Drill out the matching set of holes on the cast pattern that aligns properly with the screw positions on the existing building junction box (not provided). The bubble level gauge (hardware ref: Ⓣ) can be used to ensure fixture is level before securing the fixture onto the mounting surface.
- 5 Weeping holes are provided with plugs that can be removed to allow draining of moisture from the wiring compartment.
- 6 Reassemble the front housing cover by hinging to the swivel joint.
- 7 Use wirenuts to connect the appropriate input leads as shown in the wiring diagram of the following section. Connect optional low voltage DC dimming wires if desired, otherwise, leave insulated.
- 8 Secure the housing by reverse of step 2 above, and set the desired output angle (0°-90°) by holding the front housing up while tightening the angle adjustment screw, previously loosened in step 1 above.
- 9 If building does not need the internal photocell to regulate fixture operation, the photocell bypass cover (hardware item Ⓣ) can be installed over the photocell sensor.

www.energeticlighting.com

## WIRING DIAGRAM



## CARE AND MAINTENANCE

Clean with a mild, non-abrasive glass cleaner and soft cloth. Do NOT use solvents or cleaners containing abrasive agents. When cleaning the fixture, make sure the power is turned off, and any liquid spray should be applied to the cleaning cloth and not sprayed directly onto the fixture itself.

## TROUBLESHOOTING

Problem	Possible Solution	Corrective Action
Fixture does not light.	<ol style="list-style-type: none"> <li>1. Power is off.</li> <li>2. Incorrect wire connection.</li> <li>3. Defective wall switch.</li> </ol>	<ol style="list-style-type: none"> <li>1. Check circuit breaker or wall switch.</li> <li>2. Check wire splices.</li> <li>3. Replace switch.</li> </ol>
Circuit breaker trips when light is turned on.	Crossed wires or power wire is grounded out.	Verify wires are correctly connected.

## WARRANTY

This fixture is warranted to perform free from defects for five years. If it fails to do so, you may return it with proof of purchase to 13445 12th St., Chino, CA 91710 for replacement.