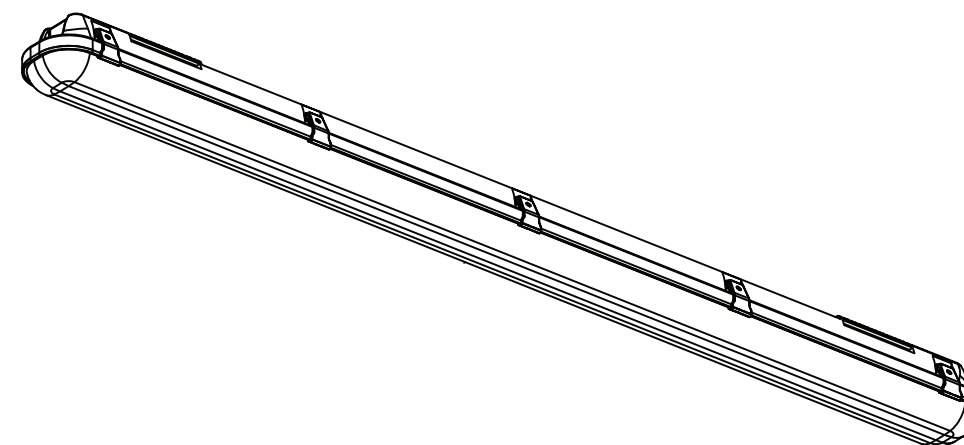




Vapor Tight Fixture

Installation Instructions

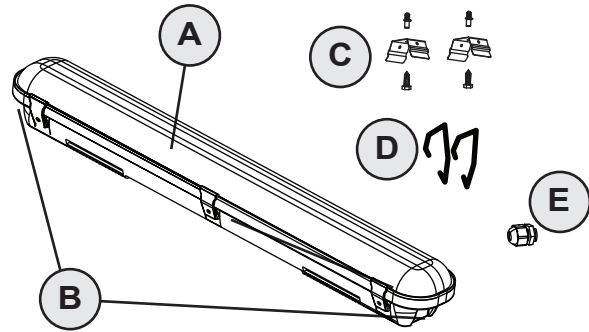


ATTACH YOUR RECEIPT HERE

Item Number _____ Purchase Date _____

Questions, problems, missing parts? Before returning to your retailer, call our customer service department at 1-866-492-6566.

PACKAGE CONTENTS



Part	Item Name	Qty.
A	Fixture (length based on model)	1
B	Conduit fitting and optional thru-wire second opening.	-
C	Surface mounting adapter clips with hardware.	2
D	Suspension mounting V-Clips	2
E	Liquid-tight cord bushing	1

SAFETY INFORMATION

Please read and understand this entire manual before attempting to assemble, operate or install the product. Failure to do so could lead to electric shock, fire or other injuries that could be hazardous or even fatal.

- Be sure the electricity to the wires you are working on is shut off. Either remove the fuse or turn off the circuit breaker.
- Changes or modifications not expressly approved by the party responsible for compliance could void the user's authority to operate the equipment.
- This product must be installed in accordance with local, state and national electrical codes.
- Installation work shall be completed by a licensed installer that is familiar with the construction and operations of the product.

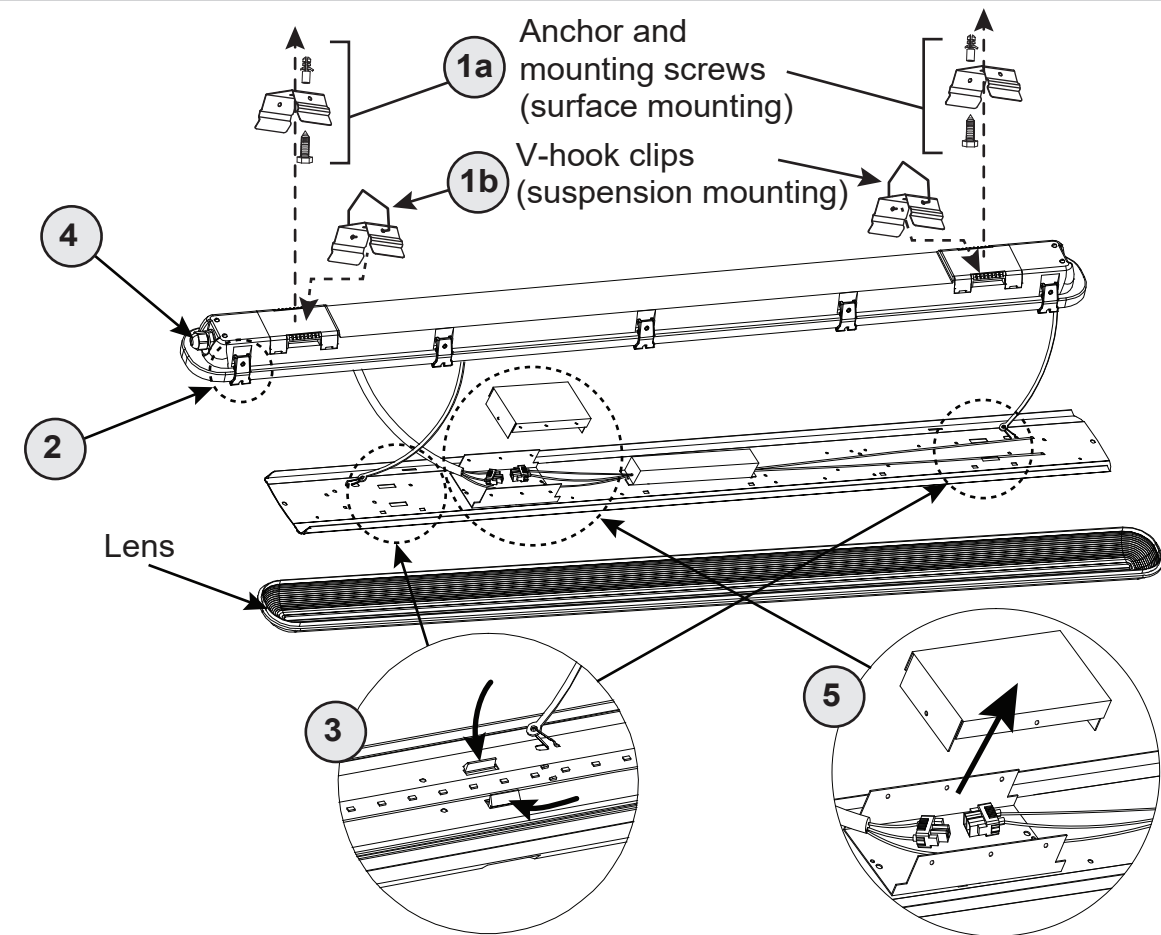
CAUTION:

- This product can only be dimmed with standard 0-10v low voltage dimming systems.

NOTICE

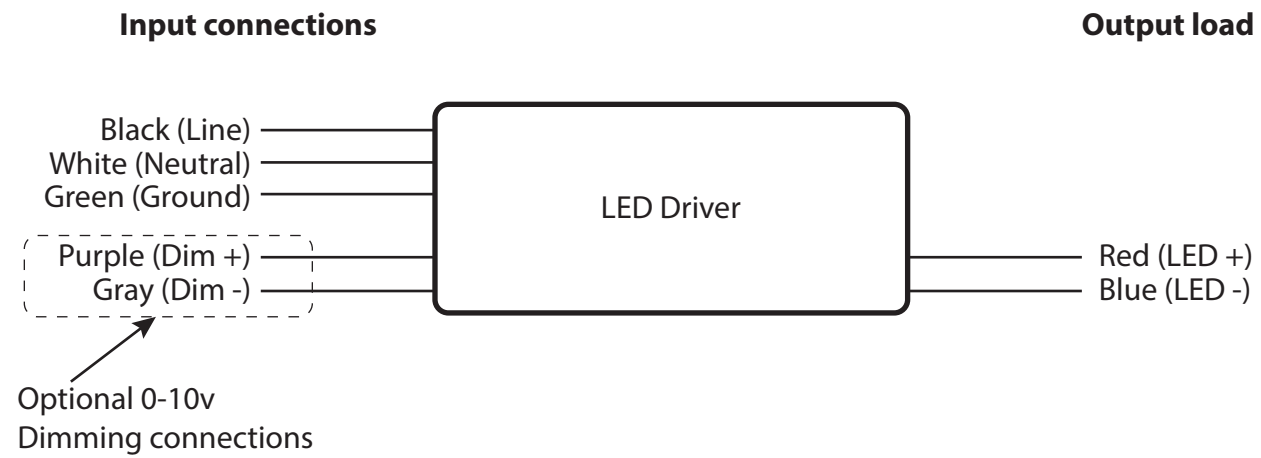
- This device complies with Part 15 of the FCC Rules. Operation is subject to the following two conditions: (1) This device may not cause harmful interference, and (2) this device must accept any interference received, including interference that may cause undesired operation.
- This equipment has been tested and found to comply with the limits for a Class B digital device, pursuant to part 15 of the FCC Rules. These limits are designed to provide reasonable protection against harmful interference in a residential installation. This equipment generates, uses and can radiate radio frequency energy and, if not installed and used in accordance with the instructions, may cause harmful interference to radio or television reception, which can be determined by turning the equipment off and on. The user is encouraged to try to correct the interference by one or more of the following measures:
 - Reorient or relocate the receiving antenna.
 - Increase the separation between the equipment and the receiver.
 - Connect the equipment into an outlet on a circuit different from that to which the receiver is connected.
 - Consult the dealer or an experienced radio/TV technician for help.
- This Class B digital apparatus complies with Canadian ICES-003.

INSTALLATION INSTRUCTIONS



- 1a Surface mount:** Determine desired mounting location and mark both clip location on mounting surface. Use hardware kit, and determine if anchor will be needed in softer surface materials. Secure fixture body to mounting surface by snapping fixture to clips.
 - 1b Suspension mount:** V-Hooks are provided for suspension cable mounting if desired, these latch onto the surface mount adapter clips (hardware ref **C**)
- 2** Lift to unlock each of the lens release latches and set aside the lens.
- 3** Pinch the two sets of locking tabs while pulling up on the LED panel plate to gain access into wiring compartment. Strain-relief cables allow the LED panel plate to dangle freely while working on wiring.
- 4** The fixture is provided with a cord bushing suitable for an SJTW 18 AWG cord (hardware ref **E**) to maintain a water-tight seal at the input. If other means of connection with other cord types are needed, a standard 1/2-inch trade-sized through hole is available at either end of the fixture.
- 5** Remove the wiring compartment cover plate to reveal the input wire connectors. Feed the input building wires through the bushing and route wire leads into the wiring compartment. Using wirenuts to connect the appropriate input leads as shown in the following section.
- 6** Replace the wiring compartment cover plate, and then reverse the process in Steps 3 and then Step 2 above to complete the installation and test with power to ensure a working fixture.

WIRING DIAGRAM



CARE AND MAINTENANCE

Clean with a mild, non-abrasive glass cleaner and soft cloth. Do NOT use solvents or cleaners containing abrasive agents. When cleaning the fixture, make sure the power is turned off, and any liquid spray should be applied to the cleaning cloth and not sprayed directly onto the fixture itself.

TROUBLESHOOTING

Problem	Possible Solution	Corrective Action
Fixture does not light.	1. Power is off. 2. Incorrect wire connection. 3. Defective wall switch.	1. Check circuit breaker or wall switch. 2. Check wire splices. 3. Replace switch.
Circuit breaker trips when light is turned on.	Crossed wires or power wire is grounded out.	Verify wires are correctly connected.

WARRANTY

This fixture is warranted to perform free from defects for five years. If it fails to do so, you may return it with proof of purchase to 13445 12th St., Chino, CA 91710 for replacement.