

Project:	Catalog#:	Type:
Prepared By:	Notes:	Date:

E2DLF

LED Slim Downlight
CCT-selectable •
3 size options • 5 year Warranty



Overview

Energetic's E2DLF series is an ultra slim profile for a broad range of modern or contemporary style commercial applications or general lighting. Innovative technologies along with the newest LED solutions provide a fixture that's top-class quality and remarkably reliable is maximized by its energy saving capabilities. The LED Downlight's ability to vividly and vibrantly illuminate objects within the room to true-to-life colors with a high CRI of >90. Available in many sizes, wattages, and selectable color temperature (2700K, 3000K, 3500K, 4000K, 5000K) to offer an array of solutions to brighten up any commercial or home areas. The E2DLF provides an excellent blend of refinement and ambiance with its dimmable capabilities for optimal energy savings. E2DLF is a spectacular choice for any renovation opportunities replacing existing commercial downlight fixtures or even new construction projects that require energy saving LED solutions.

Features

- Ez-CCT: Selectable 2700K, 3000K, 3500K, 4000K, 5000K
- Implements a new canless installation feature different from previous models
- Low profile to allow installation in restricted plenum spaces.
- Suitable for use in Type IC and Non-IC recessed location
- Standard 1/2" conduit openings
- Suitable for wet location
- Strong and reliable spring loaded capture mounting arms ensure flush installation as well as safety

Applications

- Residential and Multi-family
- Commercial and Retail
- Office and Hallway
- Healthcare and Hospitality
- General Indoor Area

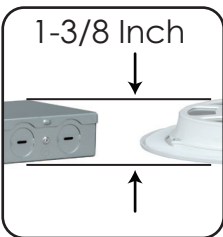
Highlights



Stainless steel spring clamps provide easy & secure mounting without need for tradition can housing



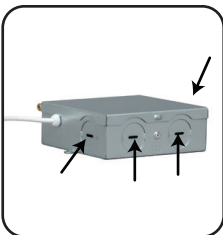
Fully sealed- suitable for use in wet locations



Ultra-compact profile for narrow plenum installation



Convenient Quick disconnect for a hassle free installation



Four (4) 1/2" trade-size knockouts provided on junction box for easy through-wire setup



Tool-less junction box cover with hinged access

Accessories



E1RIP-4"
4", 6" & 8" Rough-in Plate, 26" Long
refer to page 2 for more sizing



E1RIP-C-468
4", 6" & 8" Rough-in Plate, 13" Long



E1ACC-EXTC3P-10FT
10FT Extension wires for E2DLF Slim Downlight comply with FT1 & FT4



E1RIP-SD-ADJ
4" & 6" adjustable Galvanized plate with bar hangers

Load Information

Input Voltage	120 Vac
Power Factor	>0.9
THD	<20%
Low Temp Start	-40°C (40°F)
Max Temp	45°C (113°F)
Unit Weight	4" 0.4 lbs 6" 0.5 lbs 8" 0.7 lbs

Shipping Information

Item	Weight	Box Qty.
4"	2.61 lbs	6 per case
6"	3.18 lbs	6 per case
8"	4.35 lbs	6 per case

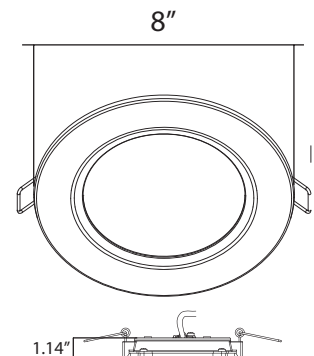
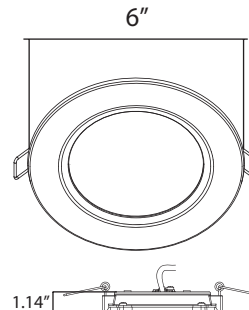
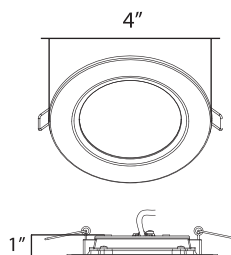
Lumen Maintenance

Housing Type	Ambient Temperature	TM-21 Lumen Maintenance (50,000 hours)	Theoretical L70 (hours)
4" profile	25°C	>83.35%	54,000
6" profile	25°C	>85.51%	54,000
8" profile	25°C	>85.51%	54,000

Dimensions

4" 6" 8" Profile

E2DLF8T4-92750
E2DLF11T6-92750
E2DLF25T8-92750



Model Ordering Number Breakdown

Series Prefix	Wattage	Optics/ Distribution	CRI	CCT
E2DLF	8	T4	9	2750
E2DLF Energetic LED Slim Downlight CCT-selectable	8 8W 11 11W 25 25W	T4 4" Profile T6 6" Profile T8 8" Profile	9 90 CRI	2750 2700k, 3000K, 3500k, 4000K, 5000K

Ordering Examples:

1. For E2DLF 8W Selectable CCT Fixture 100-277V	Model#: E2DLF8T4-92750
2. For E2DLF 8W Selectable CCT Fixture 100-277V with 4" Rough-in Plate 26" + 10FT Extension wires for E2DLF Slim Downlight comply with FT1 & FT4	Model#: E2DLF8T4-92750
REFER TO PAGE 4 FOR MOUNTING & SENSOR OPTIONS	E1RIP-4
	E1ACC-EXTC3P-10F

STOCK ORDER INFORMATION

CCT Selectable 4" Profile 100-277V

Model Number	Order#	Lumens	Wattage	LPW	Color Temp	CRI	Voltage	Dimming	DLC	Pallet Qty
E2DLF8T4-92750	50055	670LM	8W	83.6	2700k, 3000k, 3500k, 4000k, 5000kCCT	90	120V	Triac	Energy Star	960

CCT Selectable 6" Profile 100-277V

Model Number	Order#	Lumens	Wattage	LPW	Color Temp	CRI	Voltage	Dimming	DLC	Pallet Qty
E2DLF11T6-92750	50056	900LM	11W	93.6	2700k, 3000k, 3500k, 4000k, 5000kCCT	90	120V	Triac	Energy Star	576

CCT Selectable 8" Profile 100-277V

Model Number	Order#	Lumens	Wattage	LPW	Color Temp	CRI	Voltage	Dimming	DLC	Pallet Qty
E2DLF25T8-92750	50057	2000LM	25W	94.3	2700k, 3000k, 3500k, 4000k, 5000kCCT	90	120V	Triac	Energy Star	360

Optional Accessories

Model Number	Order #	Description
E1RIP-4	99050	4" Rough-in Plate 26" long
E1RIP-6	99051	6" Rough-in Plate 26" long
E1RIP-8	99052	8" Rough-in Plate 26" long
E1RIP-C-468	99045	4", 6", 8" Rough-in Plate 13" long
E1ACC-EXTC3P-10F	99055	10FT Extension Wire for E2DLF Slim Downlight comply with FT1 & FT4
E1RIP-SD-ADJ	99056	4" & 6" Adjustable Galvanized plate with bar hangers

4" Profile

6" Profile

8" Profile

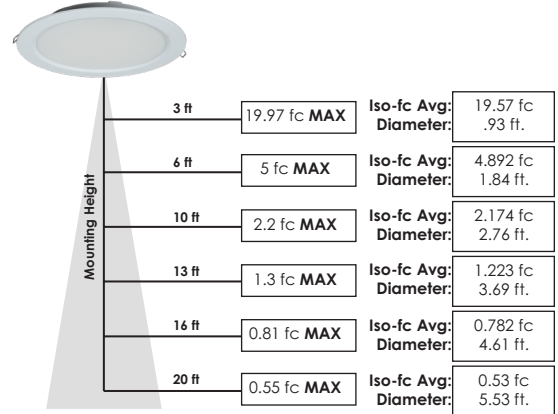
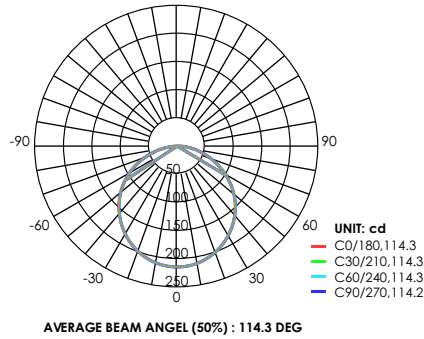
Accessories



PHOTOMETRIC DATA

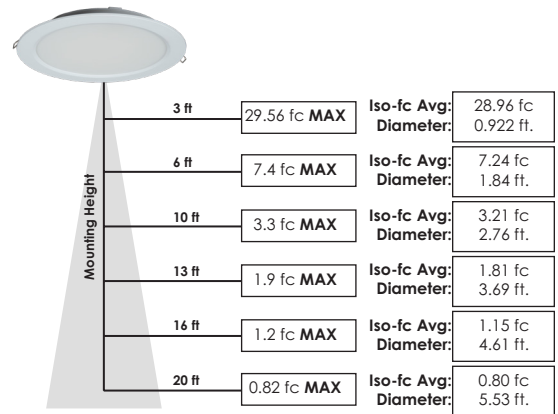
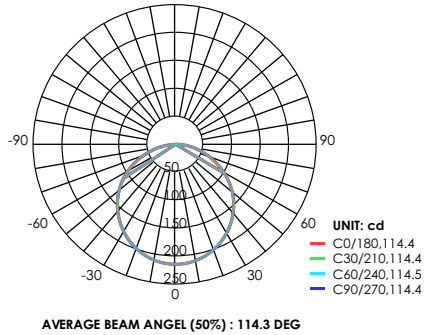
Model: E2DLF8T4-92750
 Test Report: E2DLF8T4-92750.ies
 CCT: 3000
 Lamp Type: LED
 Lumens: 670 LM
 Input Watts: 8 W
 Efficacy: 83.6 LM/W

Lumen Intensity Graph:
E2DLF8T4-92750



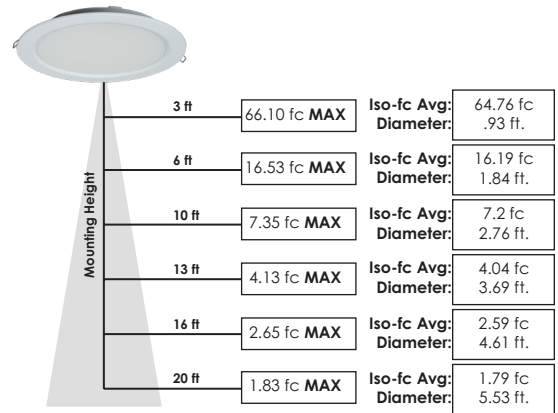
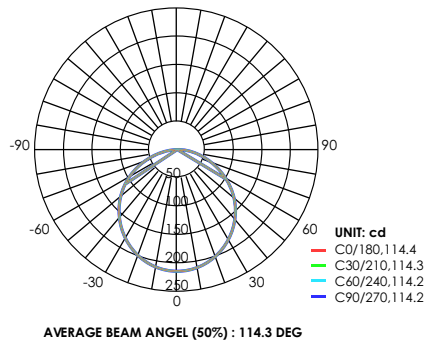
Model: E2DLF8T4-92750
 Test Report: E2DLF8T4-92750.ies
 CCT: 5000
 Lamp Type: LED
 Lumens: 900 LM
 Input Watts: 11 W
 Efficacy: 93.6 LM/W

Lumen Intensity Graph:
E2DLF11T6-92750



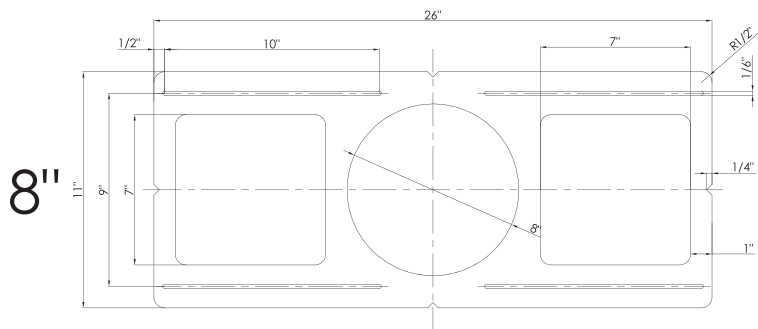
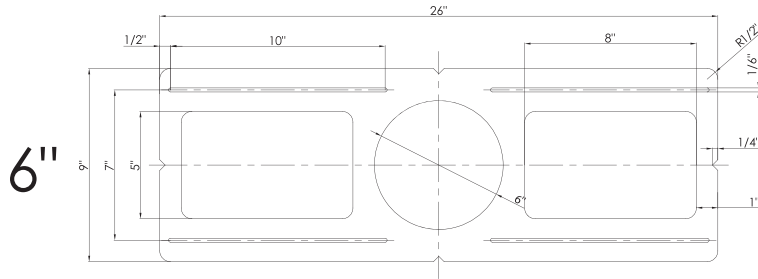
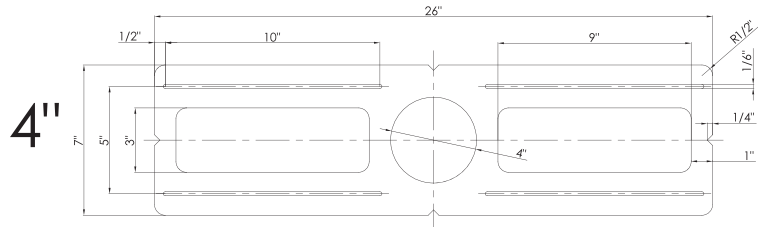
Model: E2DLF25T8-92750
 Test Report: E2DLF25T8-92750.ies
 CCT: 3000
 Lamp Type: LED
 Lumens: 2000 LM
 Input Watts: 25 W
 Efficacy: 94.3 LM/W

Lumen Intensity Graph:
E2DLF25T8-92750

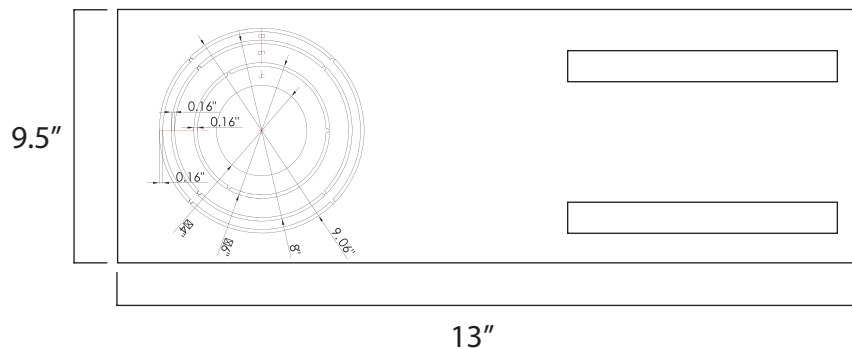


Accessories Dimesions

E1RIP-4 | E1RIP-6 | E1RIP-8 (Rough-in Plate, 26" long)

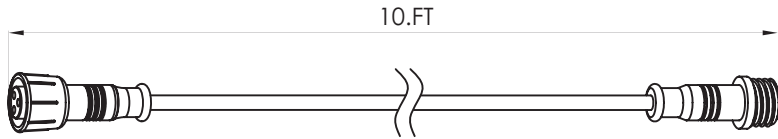


E1RIP-C-468 (4", 6", 8" Rough-in Plate 13" long)

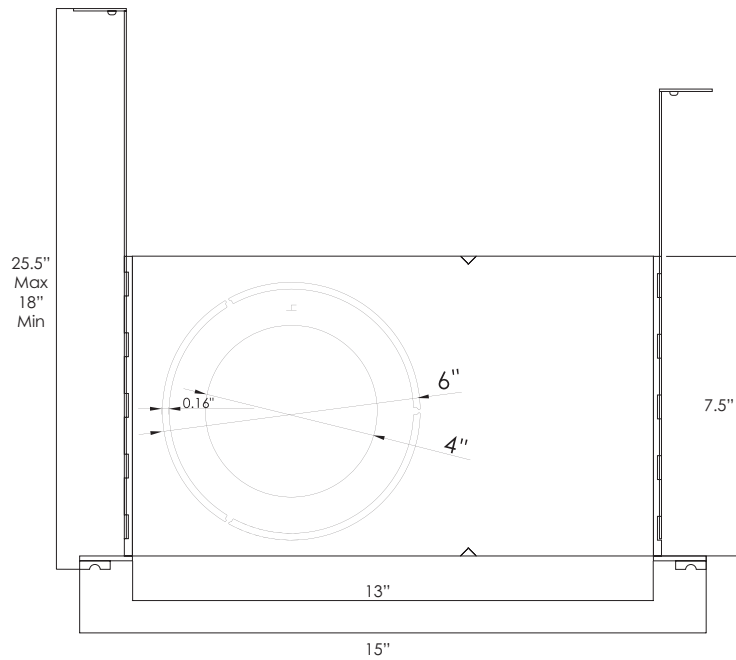




E1ACC-EXTC3P-10F (10 FT Extension Wires for E1DLF Slim Downlight comply with FT1 & FT4)



E1RIP-SD-ADJ (4" & 6" Adjustable Galvanized plate with bar hangers)





ENERGETIC[®]
L I G H T I N G

E2DLF

LED Slim Downlight CCT-selectable
50,000 System Lifetime • 5 Year Limited Warranty

NOTES: