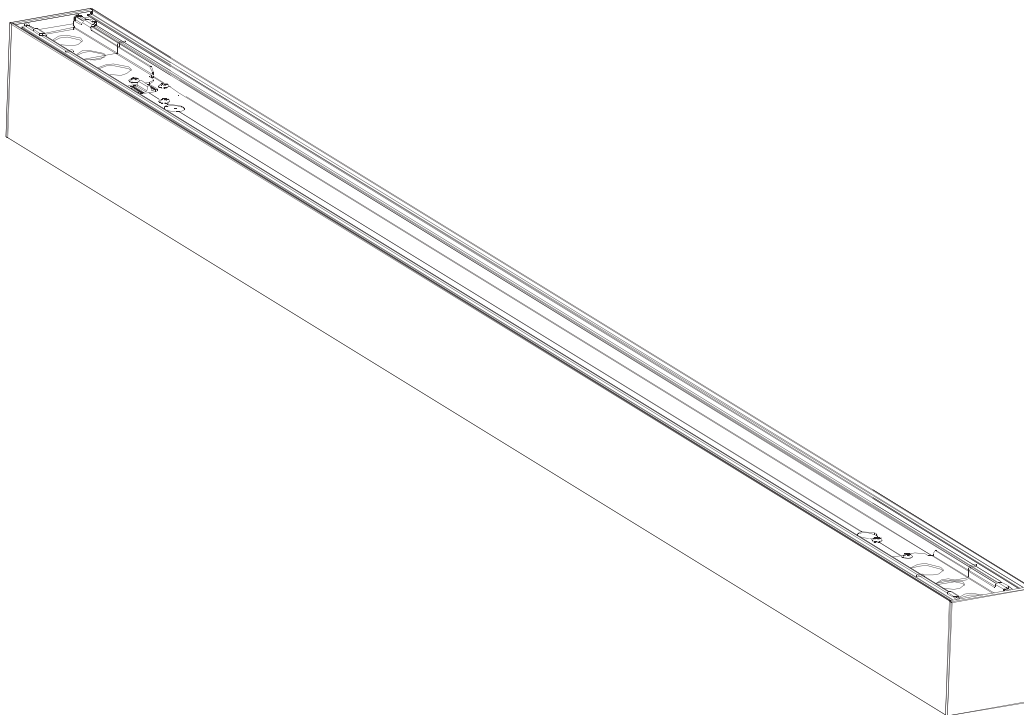




CCT Selectable LED Linear Architectural Lighting Fixture

Installation Instructions



ATTACH YOUR RECEIPT HERE

Item Number _____ Purchase Date _____

Questions, problem, missing parts? Before returning to your retailer, call our customer service department at 1-866-492-6566



SAFETY INFORMATION

Please read and understand this entire manual before attempting to assemble, operate or install the product. Failure to do so could lead to electric shock, fire or other injuries that could be hazardous or even fatal.

- Be sure the electricity to the wires you are working on is shut off. Either remove the fuse or turn off the circuit breaker.
- Changes or modifications not expressly approved by the party responsible for compliance could void the user's authority to operate the equipment.
- This product must be installed in accordance with local, state and national electrical codes.
- Installation work shall be completed by a licensed installer that is familiar with the construction and operations of the product.

CAUTION:

- Building supply input: 120-277 Vac 60Hz
- Minimum 90 degrees celcius supply conductors.
- This product can only be dimmed with standard 0-10V low voltage dimming systems

NOTICE:

- This device complies with Part 15 of the FCC Rules. Operation is subject to the following two conditions: (1) This device may not cause harmful interference, and (2) this device must accept any interference received, including interference that may cause undesired operation.

This equipment has been tested and found to comply with the limits for a Class B digital device, pursuant to part 15 of the FCC Rules. These limits are designed to provide reasonable protection against harmful interference in a residential installation. This equipment generates, uses and can radiate radio frequency energy and, if not installed and used in accordance with the instructions, may cause harmful interference to radio or television reception, which can be determined by turning the equipment off and on. The user is encouraged to try to correct the interference by one or more of the following measures:

- Reorient or relocate the receiving antenna.
- Increase the separation between the equipment and the receiver.
- Connect the equipment into an outlet on a circuit different from that to which the receiver is connected.
- Consult the dealer or an experienced radio/TV technician for help.

WARNING

- Risk of fire or electric shock. LED Kit installations requires knowledge of luminaries electrical systems. If not qualified, do not attempt installation. Contact a qualified electrician.
- Disconnect power at fuse or circuit breaker before installing or servicing.
No user serviceable parts inside. To avoid electrical shock, do not disassemble product.
 - This product is not intended for use in emergency light fixtures or exit signs. Not for use where exposed directly to the weather or water.
 - This product contains a chemical known to the state of California to cause cancer, birth defects or other reproductive harm.

SAFETY INFORMATION

PACKAGE CONTENTS

Before beginning assembly of product, make sure all parts are present. Compare parts with package contents list and hardware contents list. If any part is missing or damaged, do not attempt to assemble the product.

Estimated Assembly Time: 40 minutes

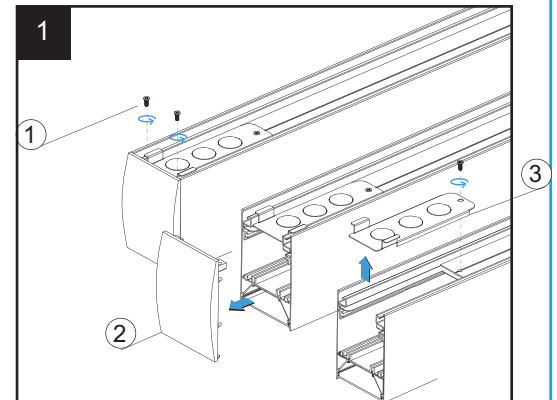
INSTALLATION INSTRUCTIONS

- Ceiling Mount Installations
- Multiple Fixture Installations
- Suspension, Surface, Recessed, and Wall Mounting installations

GENERAL INSTALLATION INSTRUCTIONS

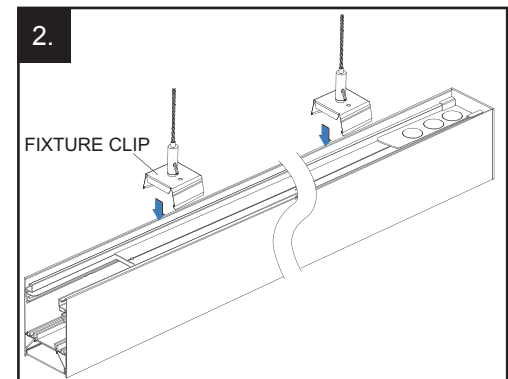
1. Undo screws to remove end cap from the female side of the linear fixture
2. Remove the end cap
3. Undo screw of knockout and remove the desired size knockout.

Save end cap and screws for later use.



2. Lift Linear fixture up to already installed suspension cables. Snap fixture mounting clips onto linear fixture.

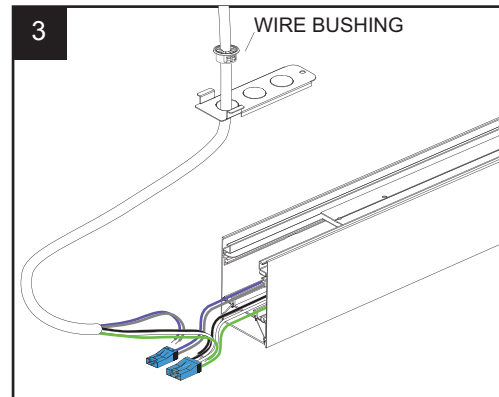
Note: the open female side in the illustration is to be lined up to the suspension cable that has the power feed for the fixture.



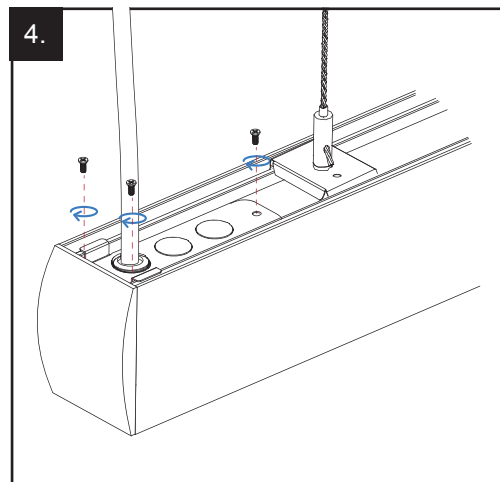
INSTALLATION INSTRUCTIONS

3. Feed the power supply cable through the wire brushing, then through the knockout plate after you have already knocked a hole out for cable and wire brushing.

Insert the five lead wires into the female quick connector. (Use the pre-connected wires as a guide to match up the color wires.

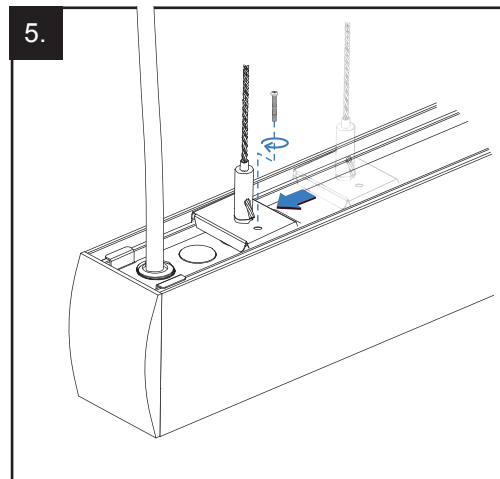


4. Once wire connections are complete secure endcaps and knockout plates with screws for sealed fixture.



5. Adjust the suspension cable along the fixture its self and screw down for desired location on the fixture.

Optional but not required to zip tie both aircraft cable and power feed together.



INSTALLATION INSTRUCTIONS

INSTALLATION FOR MULTIPLE FIXTURES

1. Undo screws to remove end cap from the female side of the linear fixture
2. Remove the end cap
3. Undo screw of knockout and remove the desired size knockout.

Save end cap and screws for later use.

2. Feed the power supply cable through the wire brushing, then through the knockout plate after you have already knocked a hole out for cable and wire brushing.

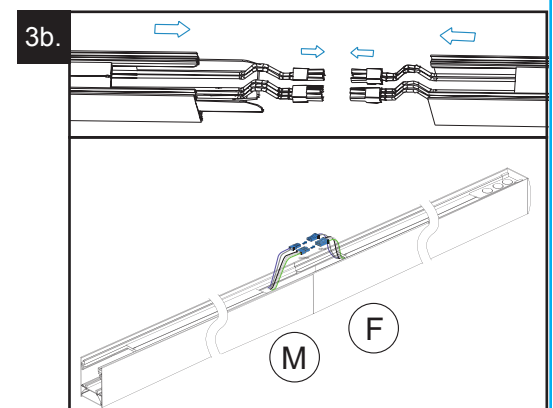
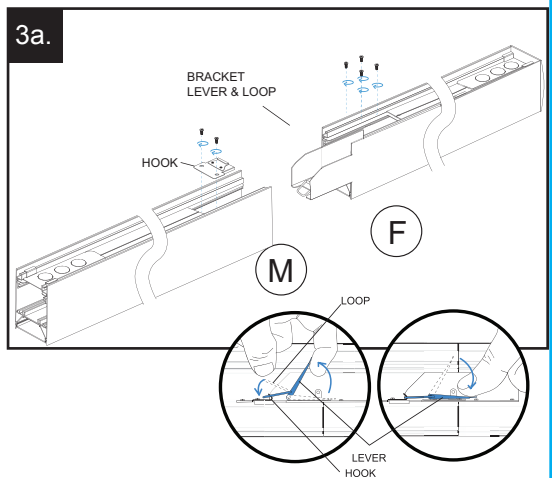
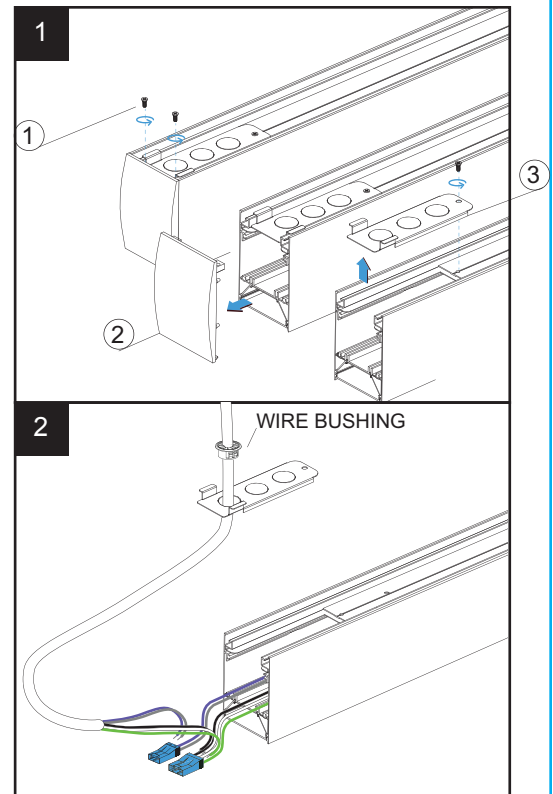
Insert the five lead wires into the female quick connector. (Use the pre-connected wires as a guide to match up the color wires.

- 3a. Secure the bracket lever & loop to fixture to female side of the fixture and the hook to the male side of the fixture.

After securing the latching system assembly, loop the latch arm over the hook and press down flat until both ends are secured for a seamless fit.

Note: When linking more than three fixtures or L,T, X, Y, and V connectors the corresponding Male and Female sides correspond with the Latching hook and lever system.

- 3b. Wire connectors are found at both ends under the knockout plates, note that fixture sections must be oriented so that male and female connectors are adjacent to each other at the junction.

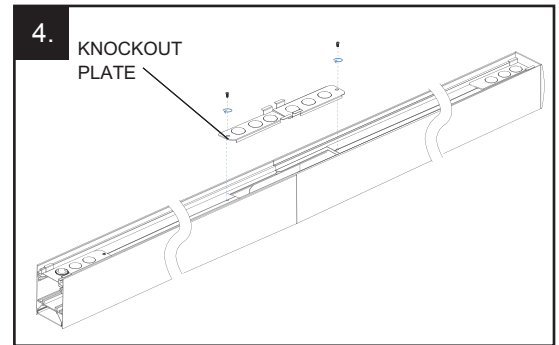


INSTALLATION INSTRUCTIONS

INSTALLATION FOR MULTIPLE FIXTURES CONTINUED

4. Once secured place down knockout plates and secure with screw.

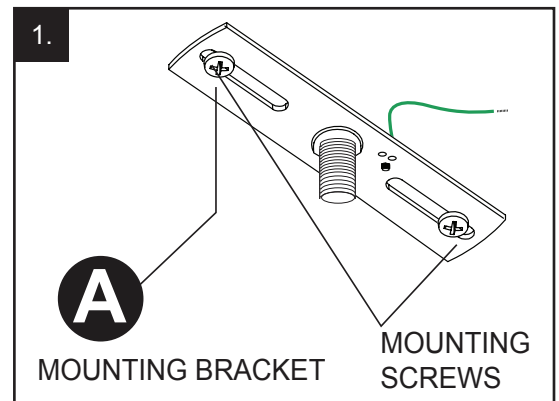
Note: When linking more than three fixtures or L,T, X, Y, and V connectors the corresponding Male and Female sides correspond with the Latching hook and lever system.



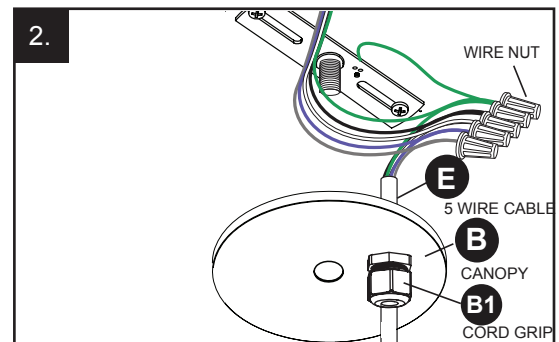
INSTALLATION FOR CANOPY SUSPENDED MOUNTING

1. Secure **(A)** mounting bracket to junction box with two mounting screws.

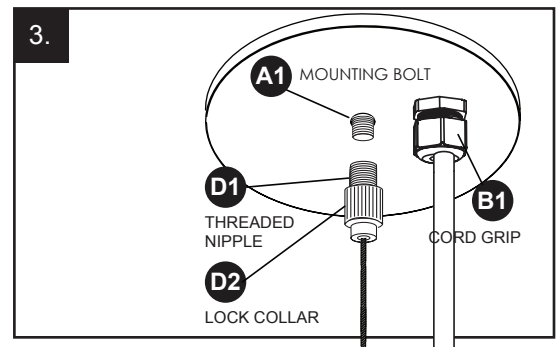
Screw in stud in the **(A)** Mounting bracket.



2. Feed **(E)** 5 wire cable through **(B1)** cord grip on **(B)** canopy, connect supply wires to **(E)** 5 wire cable matching color of the wires. Secure all connections with wire nuts. Lock **(E)** 5 wire cable in place with cord grip.



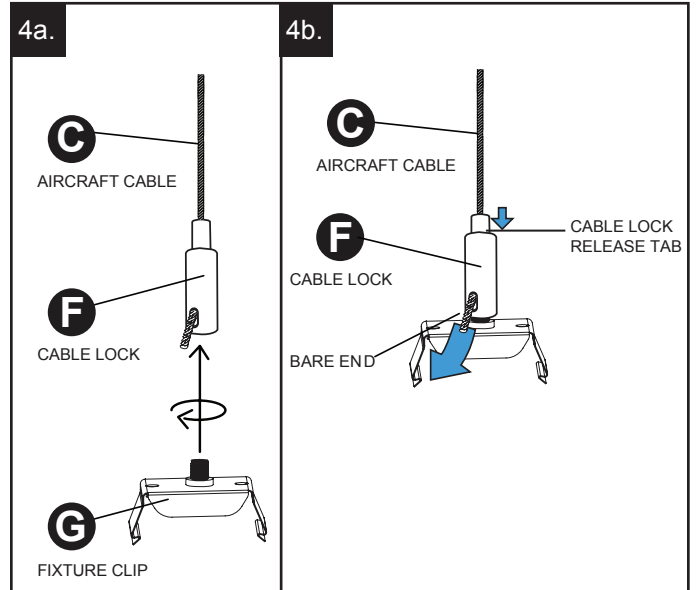
3. Carefully tuck all connected wires inside of junction box, bring canopy up and over **(A1)** mounting bolt. Secure **(D1)** threaded nipple onto **(A1)** mounting bolt, then screw on **(D2)** lock collar up against **(B)** canopy.



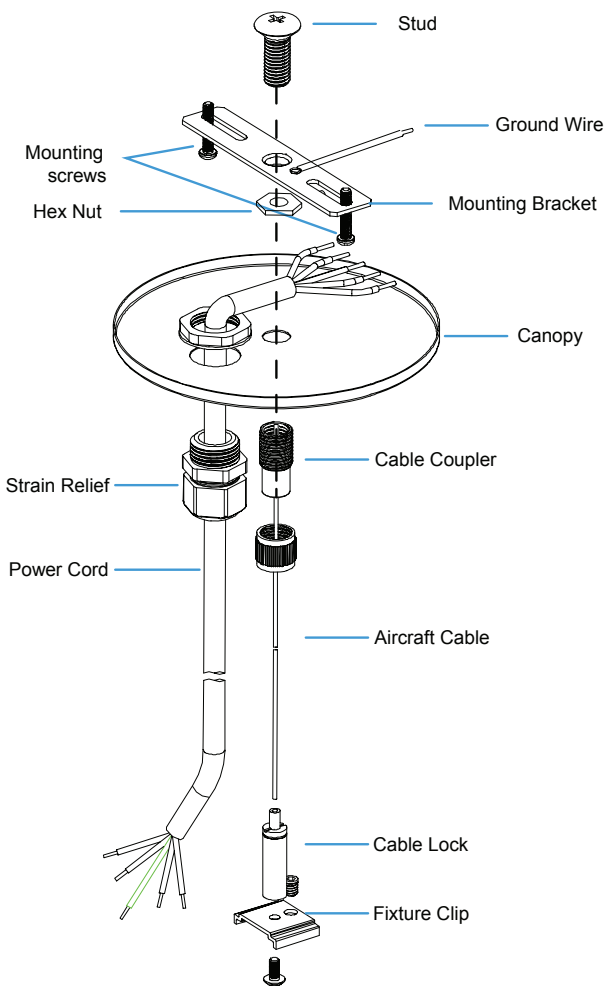
INSTALLATION INSTRUCTIONS

4a. Screw on **(G)** fixture clip onto **(F)** aircraft cable Lock.

4b. Adjust **(C)** aircraft cable length by pushing down on **(F)** cable lock's release tab spring loaded mechanism and then pull bare end of **(C)** aircraft cable through **(F)** cable lock's exit hole.



Canopy Installation Index



Canopy with Power Feed Kit:

- A** Mounting Bracket
- B** Canopy
- C** Aircraft Cable
- D1** Threaded Nipple
- D2** Lock Collar
- F** Cable Lock
- G** Fixture Clip

INSTALLATION INSTRUCTIONS

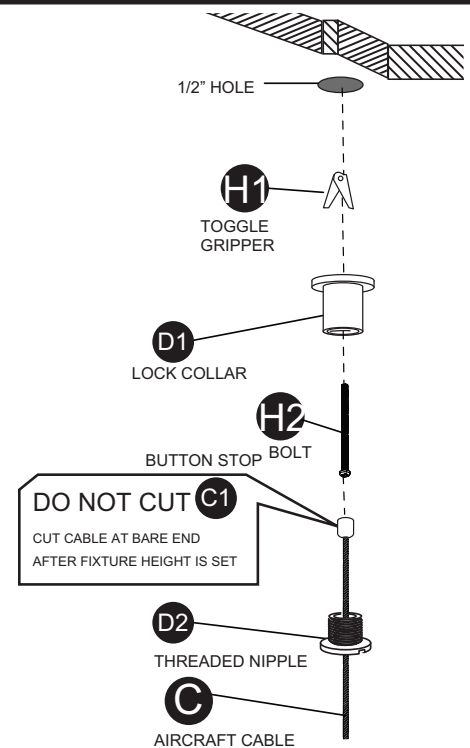
INSTALLATION FOR DIRECT CEILING MOUNTING KIT

Direct Ceiling Kit:

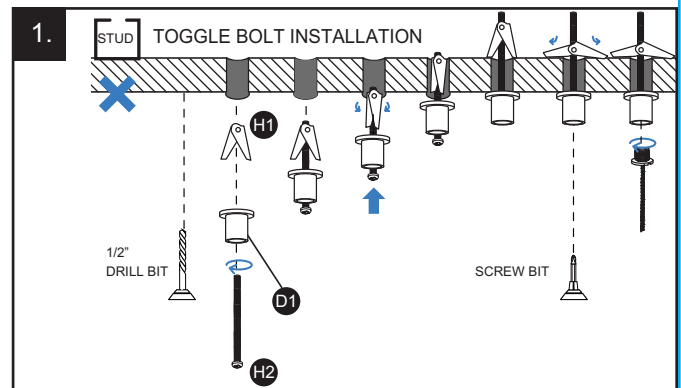
- D1** Lock Collar
- D2** Threaded Nipple
- C** Aircraft Cable
- F** Cable Gripper
- G** Fixture Clip
- H1** Toggle Gripper
- H2** Bolt

Accessories Required:

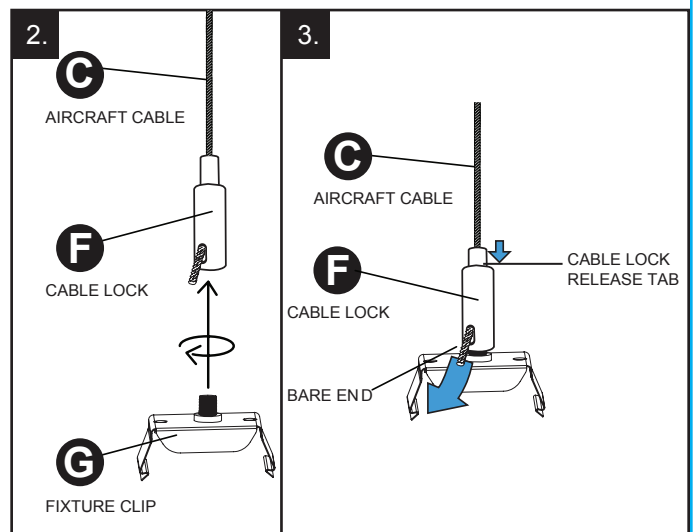
E1LAL-MNT-P8W is required per fixture.
 E1LAL-MNT-P8CPW Needed for the power cable for daisy chaining fixtures or for stand alone suspension mounting and E1LAL-MNT-P8CW is for a more decorative but not necessary direct)



1. Follow the toggle installation of figure 1. to secure the to ceiling.



2. Screw (G) onto the Cable gripper (F) Figure 2
3. Adjust aircraft cable (C) pushing down on the cable gripper's spring loaded mechanism (F) you can bring down the fixture to desired length. Pulling on the bare end of the Aircraft cable (C) lift the fixture clip (G) to be in a higher position.



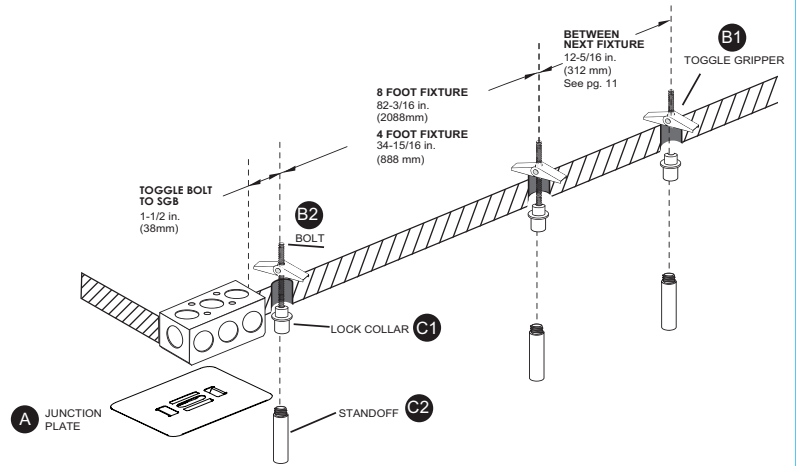
INSTALLATION INSTRUCTIONS

INSTALLATION FOR SURFACE CEILING MOUNTING KIT

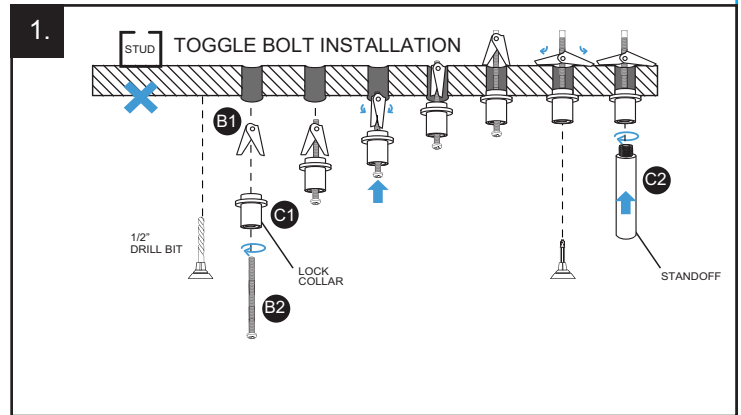
Surface Ceiling Kit:

- A** Junction Plate
- B1** Toggle Gripper
- B2** Bolt
- C1** Lock Collar
- C2** Standoff

Accessories Required:
E1LAL-MNT-SCPW and E1LAL-MNT-SCW are needed per fixture.

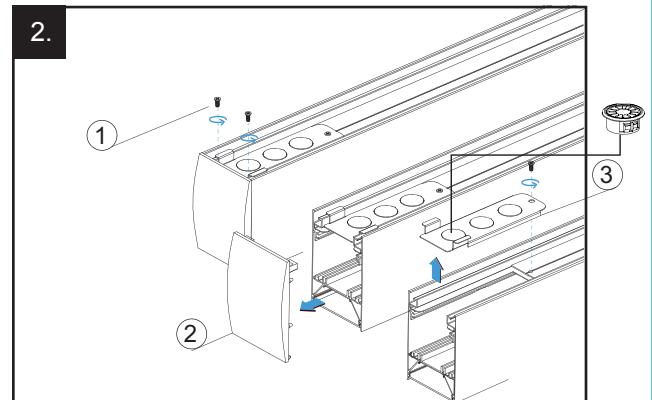


1. Follow the toggle installation of figure 1. to secure the to ceiling.



2. • Undo screws to remove end cap from the female side of the linear fixture
• Remove the end cap
• Undo screw of knockout and remove the desired size knockout.
• Knock out metal place for wire brushing into knockout plate

Save end cap and screws for later use.



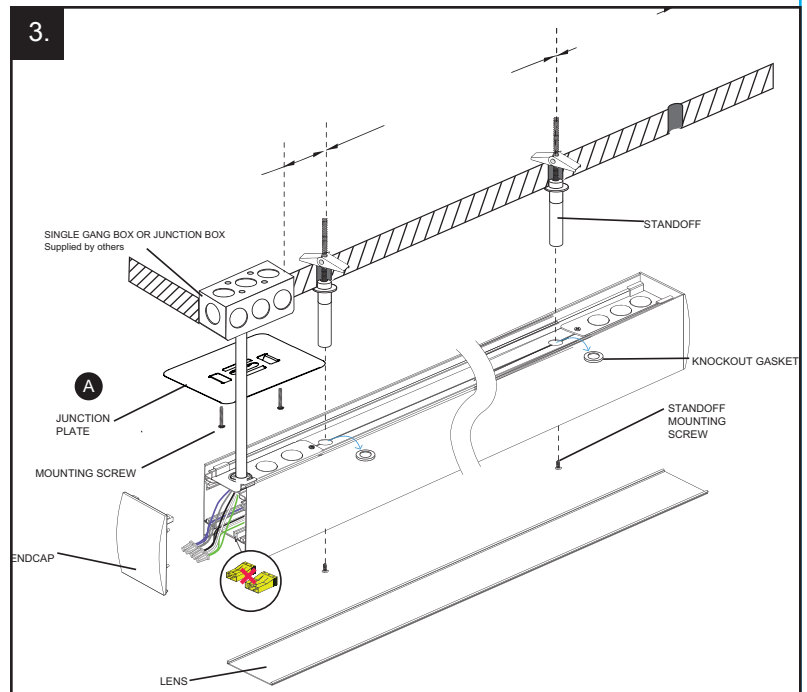
INSTALLATION INSTRUCTIONS

INSTALLATION FOR SURFACE CEILING MOUNTING KIT CONTINUED

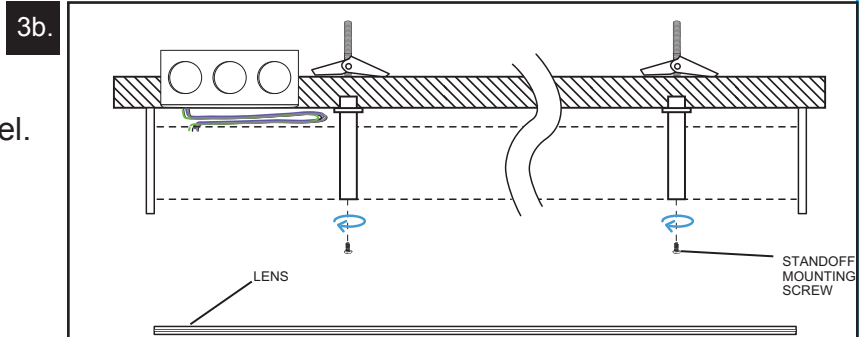
3. Connect the power feed to junction box for stand alone fixtures you can remove the quick connectors, for two or more fixtures continue to plug in the wires to the quick connectors.

Cover the junction hole with junction plate provided.

Lift fixture to ceiling and leave the female side open for the power-feed to slide through the knockout plate, connect wires to there counterpart or into the quick connectors. Tuck away any wires or power-feed and install end cap.



3. Once wires are tucked away. Remove lens and find the standoff screw holes for the standoff to be screwed directly through the LED Panel. Once properly screwed and secured. Carefully reinstall the lens back to fixture.

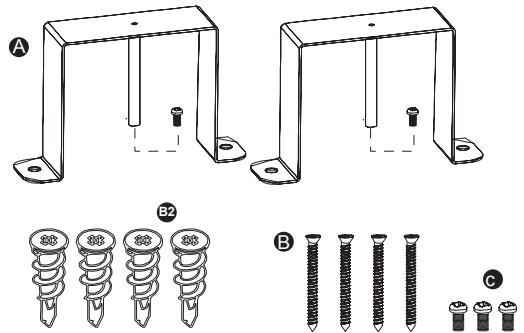


INSTALLATION INSTRUCTIONS

INSTALLATION FOR RECESSED MOUNTING KIT

Surface Ceiling Kit:

- A** Recess mounting bracket
- B1** Mounting screw
- B2** Wall anchors
- C** recessed bracket screws



1. 1. Undo screws to remove end cap from the female side of the linear fixture
2. Remove the end cap
3. Undo screw of knockout and remove the desired size knockout.

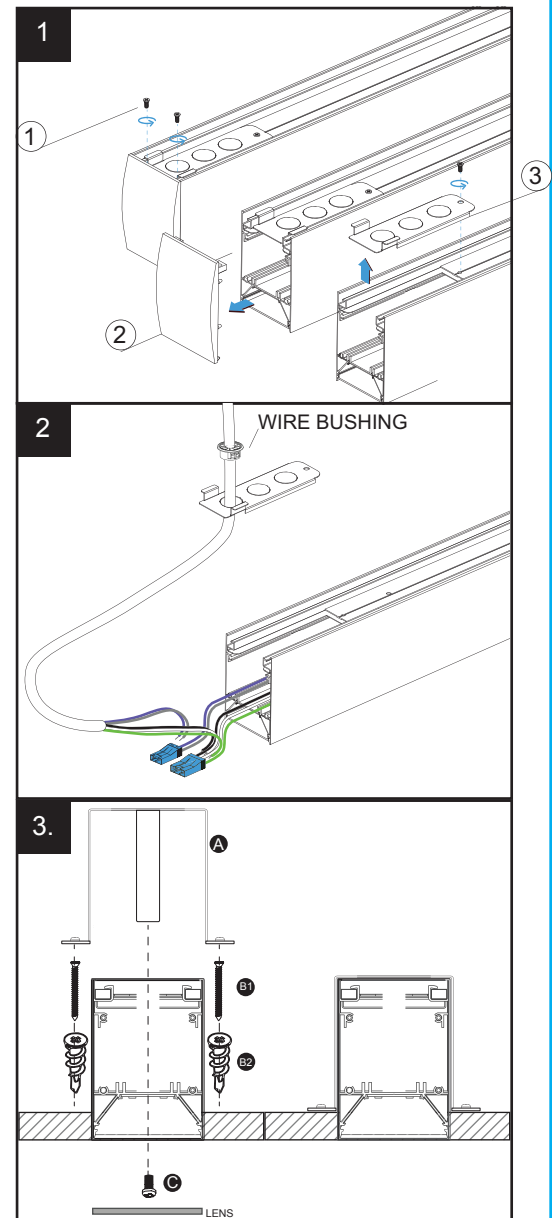
Save end cap and screws for later use.

2. Feed the power supply cable through the wire brushing, then through the knockout plate after you have already knocked a hole out for cable and wire brushing.

Insert the five lead wires into the female quick connector. (Use the pre-connected wires as a guide to match up the color wires.)

Note: See page 5 if installing multiple lighting fixtures.

3. Screw in wall anchors (B2) and mounting screws (B) then place (A) in the fixture through the standoff knockout near the knockout plate. Then removed lens and screw in recessed bracket (C)



INSTALLATION INSTRUCTIONS

INSTALLATION FOR WALL MOUNTING KIT

1. Undo screws to remove end cap from the female side of the linear fixture
2. Remove the end cap
3. Undo screw of knockout and remove the desired size knockout.

Save end cap and screws for later use.

2. Feed the power supply cable through the wire brushing, then through the knockout plate after you have already knocked a hole out for cable and wire brushing.

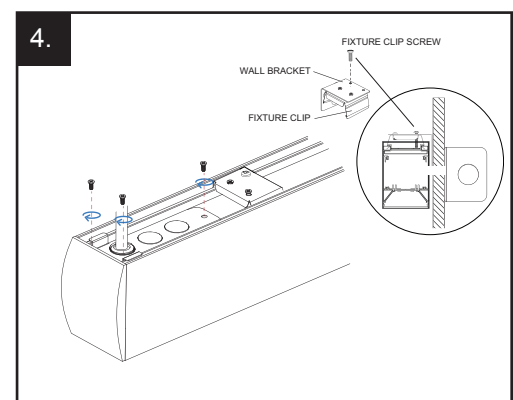
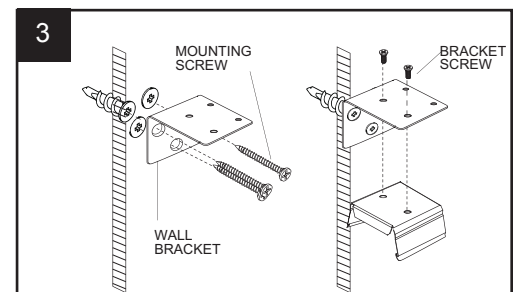
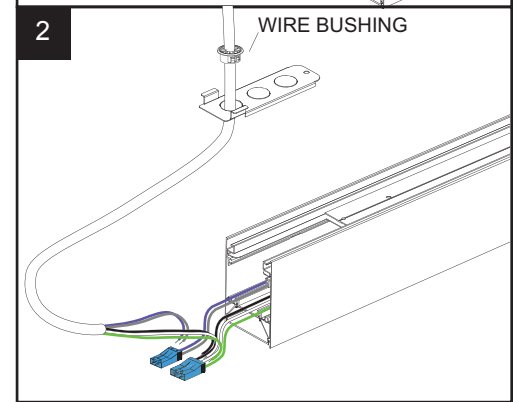
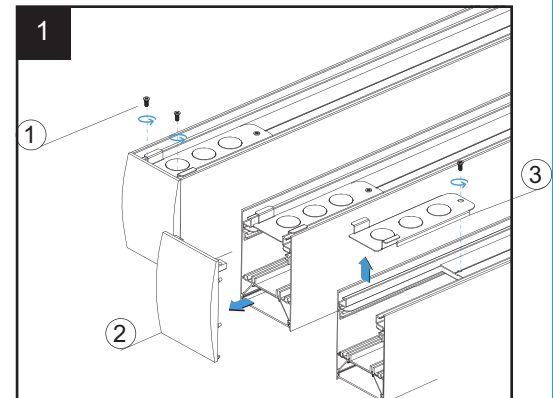
Insert the five lead wires into the female quick connector. (Use the pre-connected wires as a guide to match up the color wires.)

3. Screw in wall anchors and then place wall bracket over and use mounting screws to fully secure the bracket to the wall.

Then use bracket screws to secure the fixture clip to the wall bracket.

4. Two options for power feed connections. First, through the knockout on the top. Secondly is to drill a hole 3" inched from the end of the female side. Using the wall surface kit.

Either way lift fixture up to the clips and secure clips and fixture together.



CARE AND MAINTENANCE

Clean with a mild, non-abrasive glass cleaner and soft cloth. Do NOT use solvents or cleaners containing abrasive agents. When cleaning the fixture, make sure the power is turned off, and any liquid spray should be applied to the cleaning cloth and not sprayed directly onto the fixture itself.

TROUBLESHOOTING

PROBLEM	POSSIBLE CAUSE	CORRECTIVE ACTION
Fixture does not light.	1. Power is off. 2. Incorrect wire connection. 3 Defective wall switch.	1. Check circuit breaker or wall switch. 2. Check wire splices. 3. Replace switch.
Circuit breaker trip when light is turned on.	Crossed wire or power wire is grounded out.	Verify wires are correctly connected.

WARRANTY

This fixture is warranted to perform free from defects for five(5) years. If it fails to do so, you may return it with proof of purchase to 13445 12th St., Chino, CA 91710 for replacement.

--	--