

INSTALLATION GUIDE 5/6" LED CEILING LIGHT

IMPORTANT: Please read carefully and save these instructions, as you may need them at a later date. When using electrical equipment, basic safety precautions should always be followed as below:

READ AND FOLLOW BELOW SAFETY INSTRUCTIONS

GENERAL: All electrical connections must be in accordance with local and National Electrical Code (N.E.C) standards. If you are unfamiliar with proper electrical wiring connections obtain the services of a qualified electrician.

1. Do not make or alter any open holes in an enclosure of wiring or electrical components during kit installation.
2. To prevent wiring damage or abrasion do not expose wiring to edges of sheet metal or other sharp objects.
3. Suitable for wet locations.
4. Use only in open luminaires.
5. This device is not intended for use with emergency exit.
6. This fixture is dimmable. Dimming range is 10%-100%. Please refer to our website for a compatible dimmer list.

UNPACKING

1. Thoroughly inspect the fixture for freight damage. Freight damage should be reported to the delivery carrier.

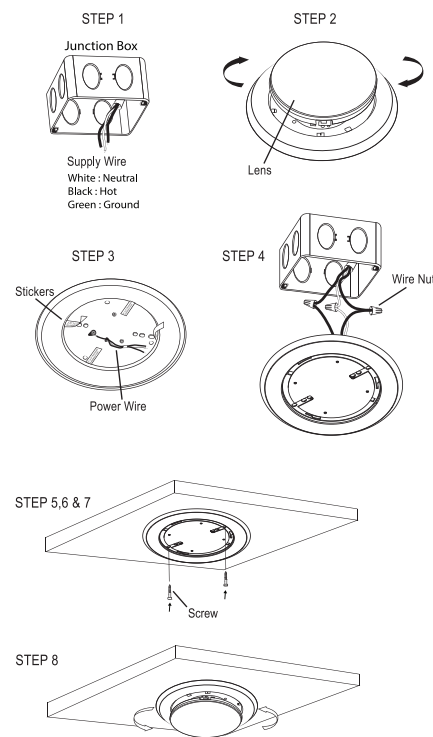
2 INSTALLATION TYPES

I. SURFACE MOUNT

1. Make sure power is turned off at the source before installing the fixture and the J-box is securely mounted. (This fixture is compatible with 2.75", 3.5" J-box).
2. Remove lens by twisting clockwise.
3. Remove the two stickers at the back that read as 2.75", 3.5" Junction box installation hole to reveal 6 screw slots.
4. Connect the supply wires to the wires on the fixture using the three wire nuts included in the packaging. Attach white to white and black (red) to black by pushing the wires into the wire nuts. Also attach copper wire to copper wire (green) as grounding connection using the wire nut.
5. Arrange the wires in the back of the junction box.
6. Align appropriate holes in the mounting fixture with the holes in the J-box depending on the size of the box (2.75", 3.5").
7. Use the longer screws for a deep J-box or the shorter screws for a shallow J-Box to attach the mounting fixture, flush with the ceiling. Do not over tighten screws or fixture will not be tight to ceiling.
8. Complete the installation by placing the lens back into its original position by twisting it in counter clockwise direction.

WARNING

RISK OF FIRE OR ELECTRIC SHOCK
DISCONNECT MAIN POWER AT FUSE OR CIRCUIT BREAKER BEFORE
INSTALLING OR SERVICING THE FIXTURE



Steps for Surface Mount Installation

FCC Compliance

This device complies with part 15 of the FCC Rules. Operations is subject to the following two conditions:

- (1) This device may not cause harmful interference, and
- (2) this device must accept any interference received, including that may cause undesired operation.

CAUTION: Changes or modifications not expressly approved by the party responsible for compliance could void the user's authority to operate the equipment.

NOTE: This equipment has been tested and found to comply with the limits for a Class B digital device, pursuant to Part 15 of the FCC Rules. These limits are designed to provide reasonable protection against harmful interference in a residential installation. This equipment generates, uses and can radiate radio frequency energy and, if not installed and used in accordance with the instructions, may cause harmful interference to radio communications. However, there is no guarantee that interference will not occur in a particular installation. If this equipment does cause harmful interference to radio or television reception, which can be determined by turning the equipment off and on, the user is encouraged to try to correct the interference by one or more of the following measures:

- Reorient or relocate the receiving antenna.
- Increase the separation between the equipment and receiver.
- Connect the equipment into an outlet on a circuit different from that to which the receiver is connected.
- Consult the dealer or an experienced radio/TV technician for help.