

# Luxury ceiling fan

## ★ Warm Tips: Maintenance of the Ceiling Fan

1. The ceiling fan can rotate, check if the mounting bracket, blade, blade supportor and other parts are missing. Make sure to tighten them to ensure safety.
2. Clean the ceiling fan at regular time, wipe off the dust with a banister brush or dry lint-free cloth. Do not use a wet cloth or cleaning liquid, which may damage the product.
3. Do not add lubricant oil or lubricants on any parts of this product.

**Seiko quality to share with you**

★ Energy Saving   ★ Low-Carbon   ★ Environmental

## USE AND CAREGUIDE

### Product Instruction



**CFAN-DC7B40-001**

**Net weight: 2kg**

### Installation Guide



Scan the QR code  
Get the installation video

Please keep the instruction.  
Make sure to read this user manual before installation. Assemble and use this product according to the instruction.

# Catalogue

1. Safety Assembly Instruction.....	1
2. Warning Requirements .....	2
3. Accessory drawing .....	3
4. Assembly-hanging the Fan.....	4
5. Three methods of ceiling installation .....	5
6. Assembly-hanging the Fan.....	6
7. Assembly-hanging the Fan.....	7
8. Use of Remote Control .....	8-9
9. Match Code .....	10
10. Cautionary Markings .....	11
11. How to Identify and Solve the Common Problems .....	12
12. Product Warranty Card .....	13

## 1. Safety Assembly Instruction

Before installing or disassembling the ceiling fan, please read the instructions and diagrams carefully and keep them.

1. To reduce electric shock, install an all-pole disconnection between the ceiling fan and circuit of the ceiling, having a contact separation over 3mm(0.12in) in all-pole disconnection. If you lack of knowledge on electrical installation, be sure to have a professional electrician with electrician certificate assembled the fan.
2. To avoid electrical hazards, shut off the electricity before installing or disassembling the ceiling fan. Connect the ground wire→hot wire(+)->neutral wire(-) in sequence when installing. While disassembling, please take down the neutral wire→hot wire→ground wire in sequence.
3. To Reduce The Risk Of Fire Or Electric Shock, Do Not Use This Fan With Any Solid-State Speed Control Device.
4. All of the screws must be locked tightly when installing the ceiling fan.
5. To avoid danger, make sure that your installation will not allow rotating fan blades to come in contact with any objects.
6. Please install the ceiling fan in the proper location with suitable height. To avoid knocking the blades and personal injury, the ceiling fan must be mounted with the blades at least 3.05m away from the floor.
7. If the model and specification of the ceiling fan are different, the motor power will not be same. The maximum power of each light source on the light fixture can not exceed 12W.
8. Water or washing liquid CAN NOT be used when cleaning the ceiling fan. Wipe off the dust with a dry cloth. Shut off the switch of the ceiling fan before cleaning.
9. Maintenance period half a year

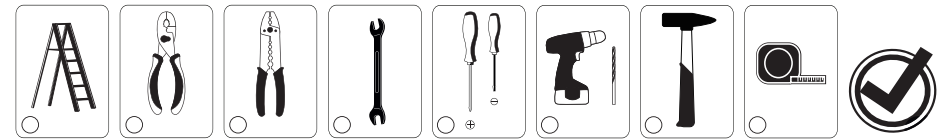


## 2. Warning Requirements

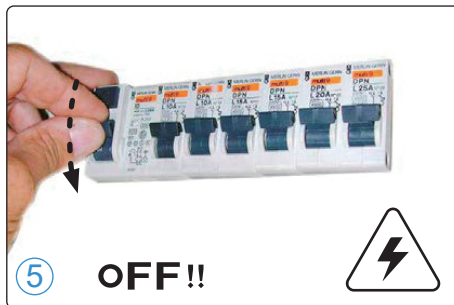
### **WARNING - TO REDUCE THE RISK OF FIRE, ELECTRIC SHOCK, OR INJURY TO PERSONS, OBSERVE THE FOLLOWING.**

1. Use this unit only in the manner intended by the manufacturer. If you have question, contact the manufacturer.
2. Before servicing or cleaning unit, switch power off at service panel and lock the service disconnecting means to prevent power from being switched on accidentally. When the service disconnecting means cannot be locked, securely fasten a prominent warning device, such as a tag, to the service panel.
3. To Reduce The Risk Of Personal Injury, Do Not Bend The Blade Brackets When Installing The Brackets, Balancing The Blades, Or Cleaning The Fan. Do Not Insert Foreign Objects In Between Rotating Fan Blades.
4. To Reduce The Risk Of Electric Shock, Disconnect The Electrical Supply Circuit To The Fan Before Installing Install light source.
5. **WARNING - To Reduce The Risk Of Fire, Electric Shock, Or Personal Injury, Mount Directly To A Structural Framing Member Or To An Outlet Box Marked 'Acceptable for Fan Support of 15.9 kg (35 lbs) or less'. For Outlet Box Mounting, Use Mounting Screws Provided With The Outlet Box.**
6. When mounted directly to the building structure, appliance installation shall not expose combustible material and do not install the appliance to a ceiling with combustible finish. The installation of the appliance cannot leave the wood of the rafters or any thermal insulation exposed to the interior of the room.
7. To Reduce The Risk Of Fire Or Electric Shock, Do Not Use This Fan With Any Solid-State Speed Control Device.
8. The appliance is not to be used by persons (including children) with reduced physical, sensory or mental capabilities, or lack of experience and knowledge, unless they have been given supervision or instruction.
9. Children being supervised not to play with the appliance.
10. If unusual oscillating movement is observed, immediately stop using the ceiling fan and contact the manufacturer, its service agent or suitably qualified persons.
11. The mounting of the suspension system shall be performed by the manufacturer, its service agent or suitably qualified persons.
12. All set screws must be checked, and retightened where necessary, before installation.
13. The installation is to be in accordance with the National Electrical Code, and local codes.
14. Check that the outlet box is securely installed in place such that it is able to support at least the fan weight.

## 3. Accessory drawing

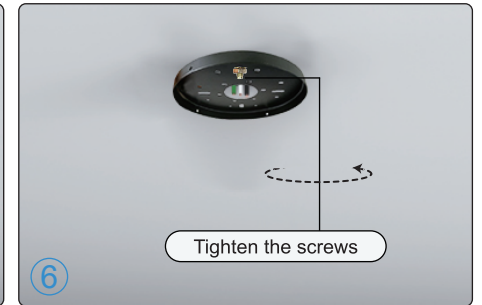
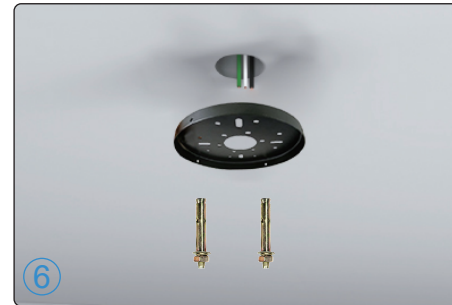


## 4. Assembly-hanging the Fan

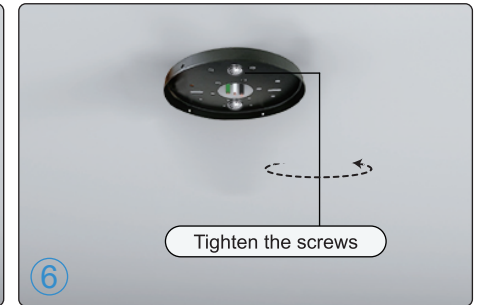
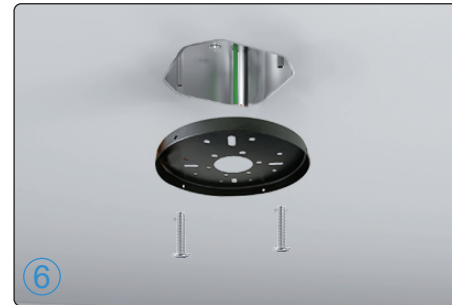


## 5. Three methods of ceiling installation

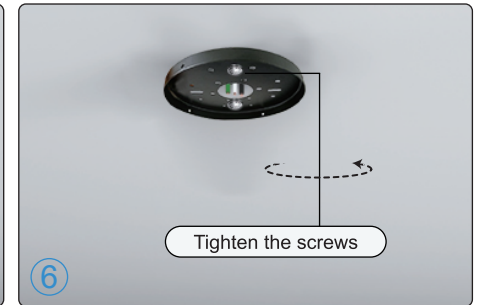
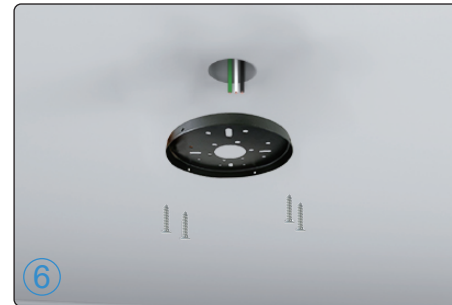
### Concrete Ceiling Mounting Bracket



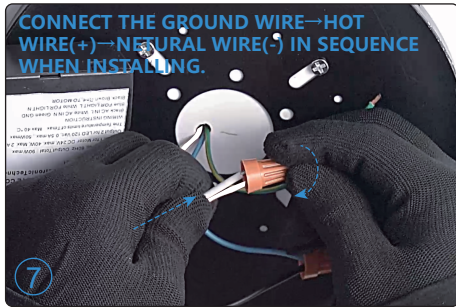
### Hanger for Junction Box Mounting Bracket



### Wooden ceiling Mounting Bracket

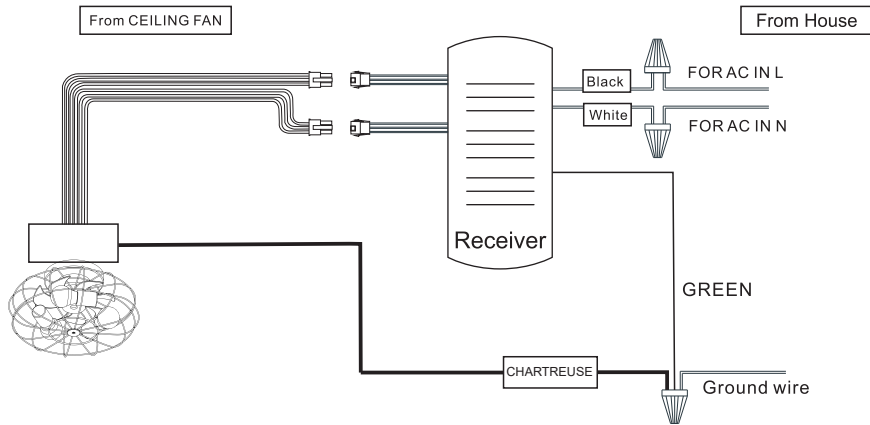


## 6. Assembly-hanging the Fan

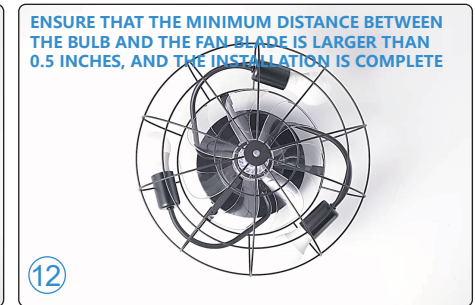
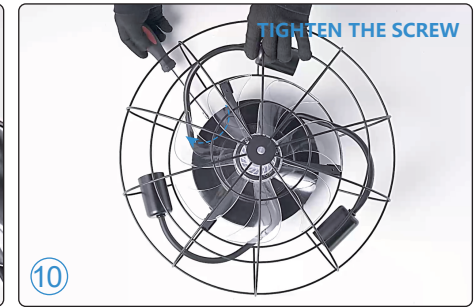
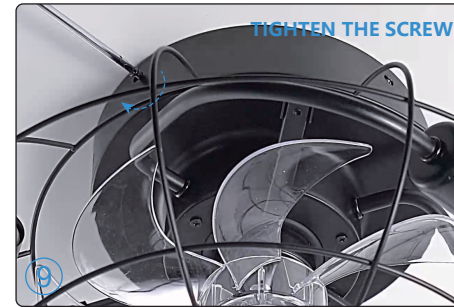


**⚠ WARNING:** Turn off the electric power during installation and making wire connection.

1. Connect the wire which from ceiling fan into the receiver.
2. Connect the wire from receiver with the wire from house.



## 7. Assembly-hanging the Fan



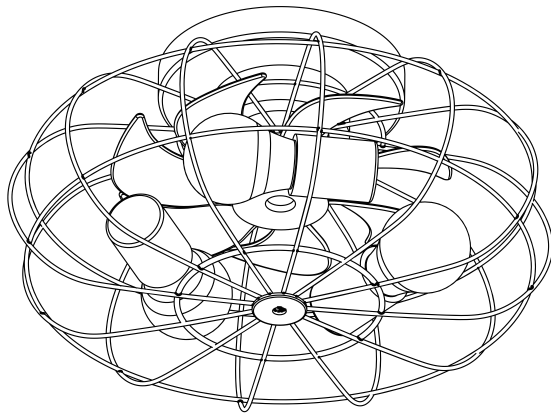
1. Caution: Fire hazard. Please use TYPE A LED bulb with a maximum power of 12W
2. Caution - To prevent personal injury, choose a reasonable size of the light bulb. When installing the light bulb, check the minimum distance between the light bulb and the fan blade with your bare hands to ensure that the distance is greater than 0.5 inch.



# 8. Use of Remote Control

## INSTRUCTION FOR DC MOTOR CEILING FAN

### REMOTE CONTROL



INNOVATION · ENERGY-SAVING · FUTURE

Warning: changes or modifications to this unit not expressly approved by the party responsible for compliance could avoid the user's authority to operate the equipment.

This device complies with Part 15 of the FCC Rules. Operation is subject to the following two conditions: (1) this device may not cause harmful interference, and (2) this device must accept any interference received, including interference that may cause undesired operation.

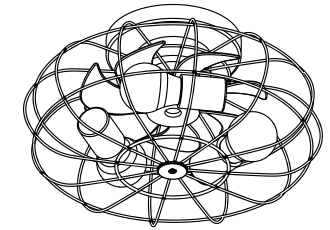
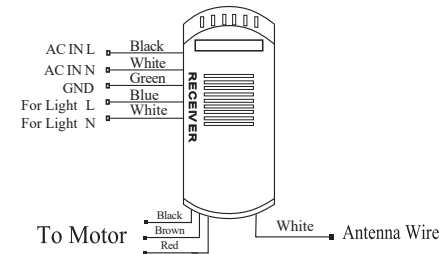
To maintain compliance with FCC's RF exposure guidelines, the distance must be at least 20cm between the radiator and your body, and fully supported by the operating and installation configurations of the transmitter and its antenna(s).

Note: This equipment has been tested and found to comply with the limits for a Class B digital device, pursuant to part 15 of the FCC Rules. These limits are designed to provide reasonable protection against harmful interference in a residential installation. This equipment generates, uses and can radiate radio frequency energy and, if not installed and used in accordance with the instructions, may cause harmful interference to radio communications. However, there is no guarantee that interference will not occur in a particular installation. If this equipment does cause harmful interference to radio or television reception, which can be determined by turning the equipment off and on, the user is encouraged to try to correct the interference by one or more of the following measures:

- Reorient or relocate the receiving antenna.
- Increase the separation between the equipment and receiver.
- Consult the dealer or an experienced radio/TV technician for help.

### WIRING SCHEMATIC DIAGRAM FOR RECEIVER

### Installation Diagram of Receiver

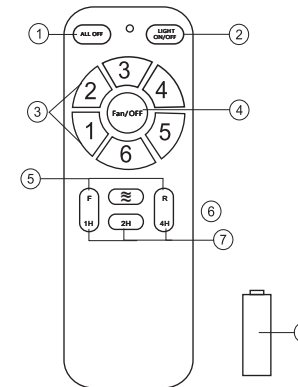


### Power Parameters Table

Voltage	Fan	Lamp
100-140V	≤40w	≤50w

- Adopt RF wireless digit emission technique, biunique controlled, coincident code rate is less than one millionth. (Emitter and receiver must be sent back to factory for maintenance if damaged.)
- Receiver can be controlled by any angles of the emitter in prescriptive space, unrestricted by direction. With the memory function, the controller can save the status (light and direction) while the supply power OFF and resume to the original after reload the power supply.

### FUNCTION INSTRUCTION OF EMITTER



- ① Turn off the fan and the light.
- ② Turn on/off the Light.  
Long press 5s to matching code with the receiver.
- ③ Turn on the Fan and set up the fan's speed.
- ④ Turn off the fan.
- ⑤ Switch the fan to Forward or Reverse.  
(When the fan is working.)
- ⑥ Activate the Natural wind MODE.  
(When the fan is working.)
- ⑦ Set up the Timer for the fan.  
(When the fan is working.)
- ⑧ BATTERY: 1.5V x 2 AAALR03.

Remark:  
According to the different models, it will have a little different, please refer to the manual.

### KINDLY REMINDS:

1. Press and hold the transmitter's Pair code "LIGHT ON/OFF" while the receiver is powering on within 5 seconds. After hearing "DIDI" for three long rings, the learning code pairing is successful and can work normally. If not, please turn off the power and restart the above operation. (Note: Do not accept learning code pairing after powering for more than 5 seconds.)
2. When the emitter cannot control the receiver, please check the battery switch touching normally or not, correction of the positive and negative, full or empty of the power.
3. Low voltage of battery will affect the sensitivity of the emitter and the signal reception accordingly (the indicated light will flash out its warning when the battery get low voltage), must replace if the battery is getting low voltage.
4. Please take out the battery from the emitter when leaving unused for long time.
5. When installing the fan, the fan ceiling cover don't press the antenna (or other wire), it is easy to breakdown the wire and short-circuited.
6. Supporting 50W lighting power at maximum.

PS: please connect the ground wire correctly, otherwise it may cause the light micro-light or flash.

## 9. Match Code



**if it does not work**

1. Turn on the main switch.



2. While turning on the main switch,  
press and hold the remote switch  
“LIGHT ON/OFF” for 5 seconds.



3. Hear the beep,  
the code is successful

## 10. Cautionary Markings

1. CAUTION – To reduce The Risk Of Injury To Persons, Install Fan So That the Blade Is At Least 3.05 m (10 feet) Above The Floor.

2. WARNING – To Reduce The Risk Of Fire, Electric Shock, Or Personal Injury, Mount To Outlet Box Marked Acceptable for Fan Support of 15.9 kg (35 lbs) or less And Use Mounting Screws Provided With The Outlet Box and/or Support Directly From Building Structure. Most Outlet Boxes Commonly Use For The Support Of Luminaries Are Not Acceptable For Fan Support And May Need To Be Replaced. Consult A Qualified Electrician If In Doubt.

3. WARNING – To Reduce The Risk Of Fire or Electric Shock, This Fan Should Only Be Used With Fan Speed Control Part No.: A04031.

4. CAUTION: RISK OF FIRE. MAX 12 W, TYPE A.

## 11. How to Identify and Solve the Common Problems

### 1.The ceiling fan does not rotate

- ① Check if the fuse of the external wires of the ceiling fan melts or the automatic protection switch is shut off.
- ② Check if the wires are not connected well.
- ③ Check if the power supply and inductance of the ceiling fan are normal.  
**Warning:** Be sure electricity is turned off before inspection. If this issue still can not be solved, consult a professional electrician for further help.

### 2. Ceiling fan noise

- ① Check if all of the screws are locked tightly.
- ② Check if the electric motor is affected by the barrier when it operates.

### 3. The light fixture does not work

- ① Check if the wiring access is loose.
- ② Check if the light bulbs are damaged.

## 【 Product Warranty Card 】

Product Information	Model	Specification	Configuration
User Information	User Name		Purchase Date
	Sales Invoice Receipt		Year Month Day
	Contact Information		
Purchase Information	Seller		
	Contact Information		
The Date Received	Glitchand Maintenance Status	Maintenance Man	Inspection Date/Sign

**Kindly Remind :** The buyer can enjoy maintenance service with the warranty card, please keep it.